



# Mast Pak

*Surgical Corporation*

Manufacturer & Exporters of surgical instruments



20893049  
38945682  
23045923  
56236465  
73698746  
45683264  
50783645  
46568032  
45670982  
68092385  
68230848  
80692380  
56234685  
06485069  
02394530

# NEUROSURGERY

## Instruments

Website: [www.mastpaksurgicalcorp.com](http://www.mastpaksurgicalcorp.com)

Email: [info@mastpaksurgicalcorp.com](mailto:info@mastpaksurgicalcorp.com)

Phone: +92-324-8609456

Address: Pacca Garha, Kashmir Road  
Sialkot 51310, Pakistan

## About us:

A team of professional experts joined hands to form MAST PAK SURGICAL CORPORATION with the sole aim to export high Quality surgical Instruments, Specialist in Needle Holder Forceps with Tungsten carbide.

Our products were advertised throughout the world by the help of catalogues, Internet, Exhibitions & personal visits to different countries of the world. These efforts bore fruit and we managed to establish our credibility and began exporting our products.

MAST PAK SURGICAL CORPORATION achieved tremendous success by virtue of constant dedicated efforts, devotion to duty and maintenance of quality control. This quality management system was properly implemented and is being successfully executed at all production stages, which indeed a result of constant professional and vigorous team effort undertaken by MAST PAK SURGICAL CORPORATION most responsible, professional and dedicated staff members.

Its always been our endeavor to maintain a high standard of production, quality control and customer satisfaction. We finally offer our sincere regard and gratitude to all our valued clients for patronizing MAST PAK SURGICAL CORPORATION and helping us to achieve our goals.

## Our Mission

Establish a global presesnce as a leading designer and manufacturer of high quality handled surgical instruments in the dental and medical surgical fields.

Our goal will be achieved through the offering of excellent products and services: and by our commitment of exceed customer expectations.

## Achievements

High achievement always takes place in the framework of high expectations.

# General Instruments

**Brain spatulas, malleable**  
**Spatules cérébrales, malléables**  
**Espátulas cerebrales, maleables**



concave

**Olivecrona**  
18 cm/7"

Width of spatulas

7 mm + 9 mm	B-2253.07
11 mm + 13 mm	B-2253.11
15 mm + 18 mm	B-2253.15
18 mm + 22 mm	B-2253.18



convexe

**Olivecrona**  
18 cm/7"

Width of spatulas

7 mm + 9 mm	B-2255.07
11 mm + 13 mm	B-2255.11
15 mm + 18 mm	B-2255.15
18 mm + 22 mm	B-2255.18



**Olivecrona**  
18 cm/7"

Width of spatulas

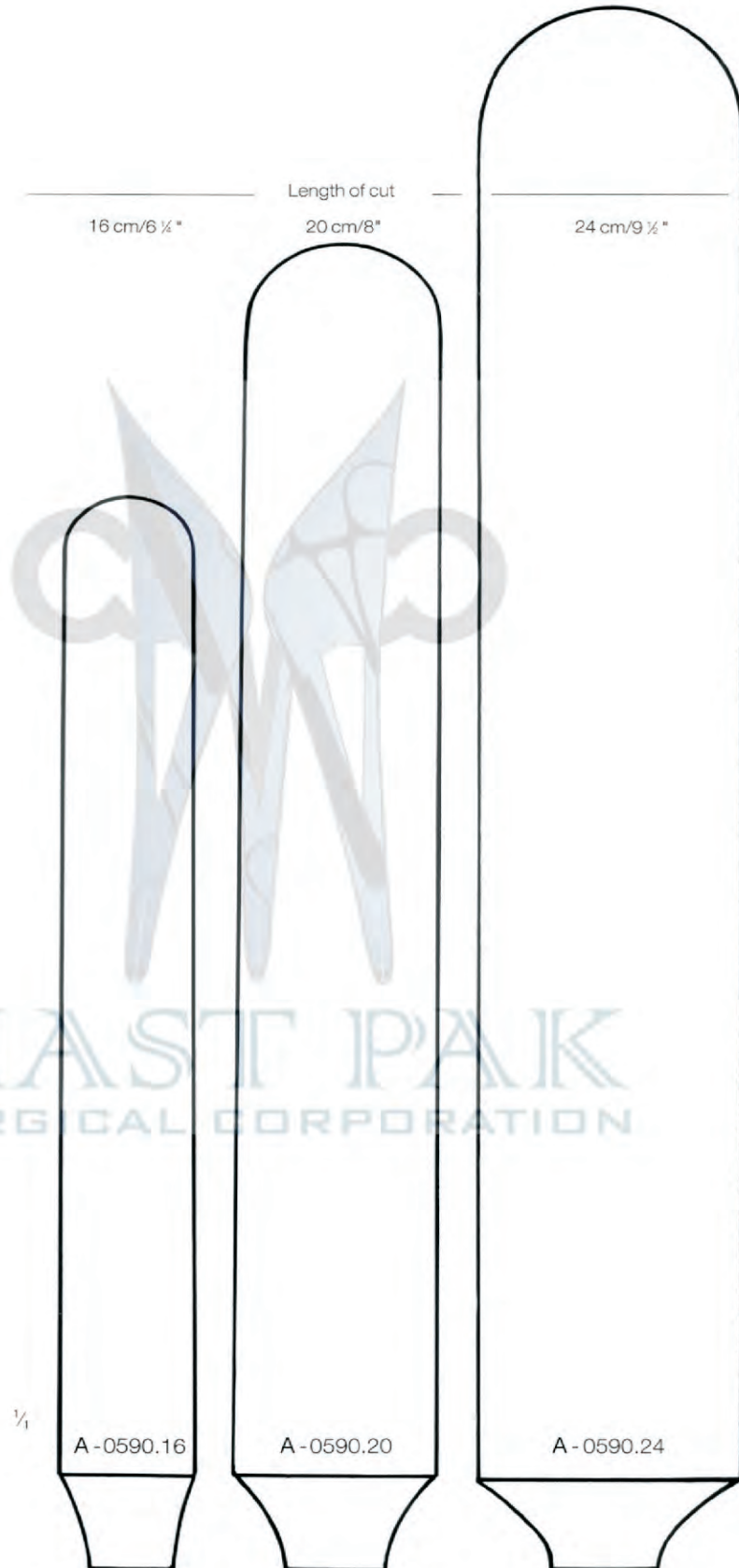
7 mm + 9 mm	B-2258.07
11 mm + 13 mm	B-2258.11
15 mm + 18 mm	B-2258.15
18 mm + 22 mm	B-2258.18

**Brain knives**  
**Couteaux pour cerveau**  
**Cuchillos para cerebro**



**Virchow**

Metal handle



**Brain spatulas, malleable**  
**Spatules cérébrales, malléables**  
**Espátulas cerebrales, maleables**



concave

**Olivecrona**  
18 cm/7"

Width of spatulas

7 mm + 9 mm	B-2253.07
11 mm + 13 mm	B-2253.11
15 mm + 18 mm	B-2253.15
18 mm + 22 mm	B-2253.18



convexe

**Olivecrona**  
18 cm/7"

Width of spatulas

7 mm + 9 mm	B-2255.07
11 mm + 13 mm	B-2255.11
15 mm + 18 mm	B-2255.15
18 mm + 22 mm	B-2255.18



**Olivecrona**  
18 cm/7"

Width of spatulas

7 mm + 9 mm	B-2258.07
11 mm + 13 mm	B-2258.11
15 mm + 18 mm	B-2258.15
18 mm + 22 mm	B-2258.18

**Brain spatulas, malleable**  
**Spatules cérébrales, malléables**  
**Espátulas cerebrales, maleables**

**Brain Spatulas, malleable**

The image shows three brain spatulas with their respective dimensions and product codes. The first spatula on the left has a curved blade and a handle with a 1/2 inch diameter. The second spatula in the middle has a straight blade and a handle with a 1/2 inch diameter. The third spatula on the right is a long, straight spatula with a 1/2 inch diameter handle.

**Width of spatulas**

14 mm	<b>B-2120.14</b>
17 mm	<b>B-2120.17</b>
20 mm	<b>B-2120.20</b>

**Heifetz**  
20 cm/8"

**Width of spatulas**

8 mm	<b>B-2135.08</b>
11 mm	<b>B-2135.11</b>
14 mm	<b>B-2135.14</b>
17 mm	<b>B-2135.17</b>

**Heifetz**  
15,5 cm/6"

**Width of spatulas**

7 + 8 mm	<b>B-2222.08</b>
10 + 11 mm	<b>B-2222.11</b>
13 + 14 mm	<b>B-2222.14</b>
16 + 17 mm	<b>B-2222.17</b>
19 + 20 mm	<b>B-2222.20</b>
22 + 25 mm	<b>B-2222.25</b>

**Heifetz**  
20 cm/6"

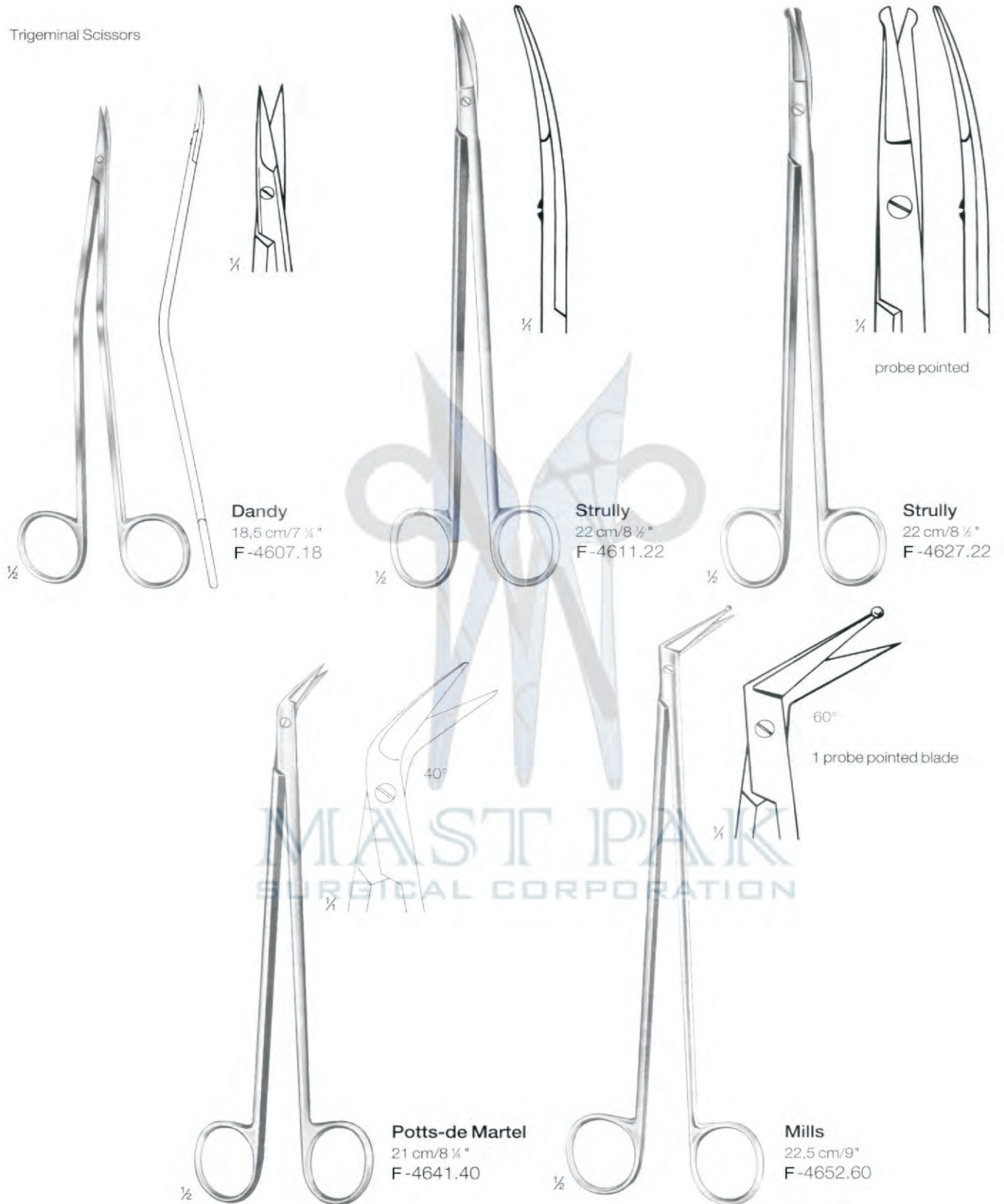
**Width of spatulas**

12 mm	<b>10-2780.12</b>
17 mm	<b>10-2780.17</b>

**20 cm/6"**

**Brain and neurosurgical scissors**  
**Ciseaux pour chirurgie cérébrale et neurochirurgie**  
**Tijeras para cirugía cerebral y neurocirugía**

Trigeminal Scissors



**Dandy**  
 18,5 cm/7 ¼"  
 F-4607.18

**Strully**  
 22 cm/8 ½"  
 F-4611.22

**Strully**  
 22 cm/8 ½"  
 F-4627.22

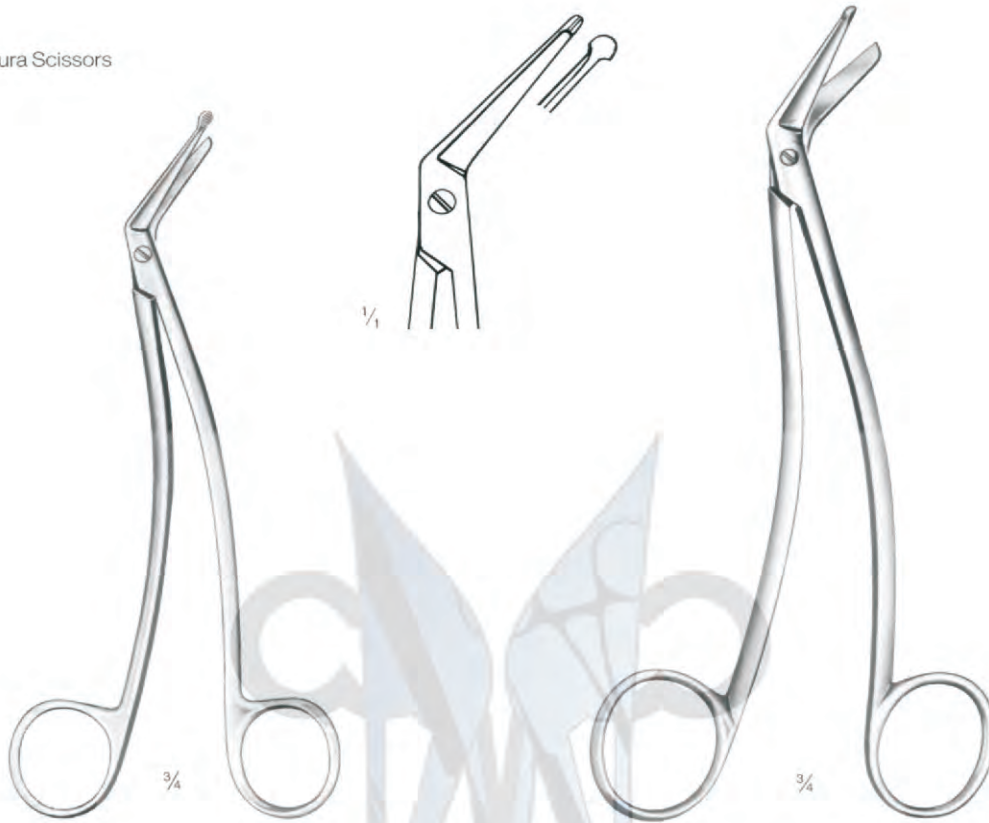
**Potts-de Martel**  
 21 cm/8 ¼"  
 F-4641.40

**Mills**  
 22,5 cm/9"  
 F-4652.60



# Brain and neurosurgical scissors Ciseaux pour chirurgie cérébrale et neurochirurgie Tijeras para cirugía cerebral y neurocirugía

Dura Scissors



**Taylor**  
14,5 cm/5 1/2"  
F-4665.14

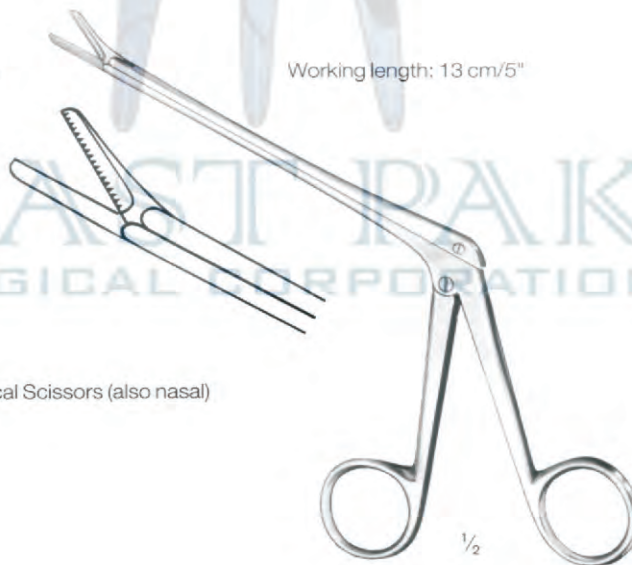
**Schmieden**  
17 cm/6 3/4"  
F-4669.17

saw edge

Working length: 13 cm/5"

MASTIPAK  
SURGICAL CORPORATION

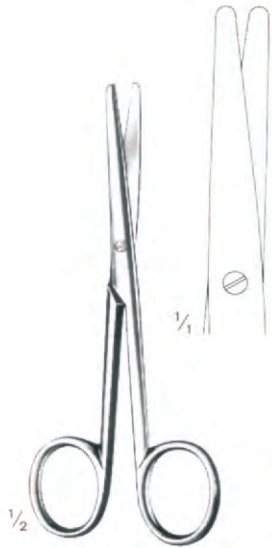
Neurosurgical Scissors (also nasal)



**Olivecrona**  
21,5 cm/8 1/2"  
F-4680.13

**Eye scissors**  
**Ciseaux oculaires**  
**Tijeras para oculares**

---



F-3510.12



F-3511.12



F-3513.12



F-3515.12

**Landolt**  
12.5 cm/5"

Fine Dissecting Scissors



F-3520.11

11.5 cm/4 1/2"  
F-3521.11

F-3523.11

MASTIPAK  
SURGICAL CORPORATION

Retractors

**Crochets très fins et crochets à nerfs**  
**Ganchitos y ganchos para nervios**



1/2  
**Crile**  
 14,5 cm/5 3/4"  
 G-0100.14



1/2  
**Crile**  
 20 cm/8"  
 G-0100.20



1/2  
**Cushing**

19 cm/7 1/2"  
 G-0119.01 G-0119.02  
 28 cm/11"  
 G-0128.01 G-0128.02



1/2  
**Adson**  
 20 cm/8"  
 G-0130.20



1/2  
**Adson**  
 20 cm/8"  
 G-0132.20



1/2  
**Cushing**  
 14,5 cm/5 3/4"  
 G-0134.14



sharp

**Frazier**



blunt

13 cm/5"  
 G-0136.13  
 18 cm/7"  
 G-0136.18



13 cm/5"  
 G-0138.13  
 18 cm/7"  
 G-0138.18



1/2  
**Tönnis**  
 15 cm/6"  
 G-0144.15



G-0156.03



G-0156.05



G-0156.07

1/2  
**Kleinert-Kutz**  
 16 cm/6 1/4"

MASTC PAK  
 SURGICAL CORPORATION

**Nerve hooks, dura hooks**  
**Crochets à nerfs, crochets pour dure-mère**  
**Ganchos para nervios, ganchos para dura-madre**



**Smithwick**  
 17 cm/6 1/2" G-3030.17  
 21 cm/8 1/4" G-3030.21



**Smithwick**  
 29 cm/11 1/2" G-3032.29



**Frazier**  
 19 cm/7 1/2" G-3039.01



**Frazier**  
 19 cm/7 1/2" G-3039.02



**Hoerl**  
 22 cm/8 5/8" G-3042.22



**Dandy**  
 20 cm/8" G-3045.01



**Dandy**  
 20 cm/8" G-3044.20



**Dandy**  
 20 cm/8" G-3045.02



**Adson**  
 23 cm/9" G-3050.23



**Graham**  
 16.5 cm/6 1/2" G-3054.16



**Sachs**  
 18.5 cm/7 1/4" G-3056.18



**Cloward**  
 16 cm/6 1/4" G-3072.16

MAST PAK  
 SURGICAL CORPORATION

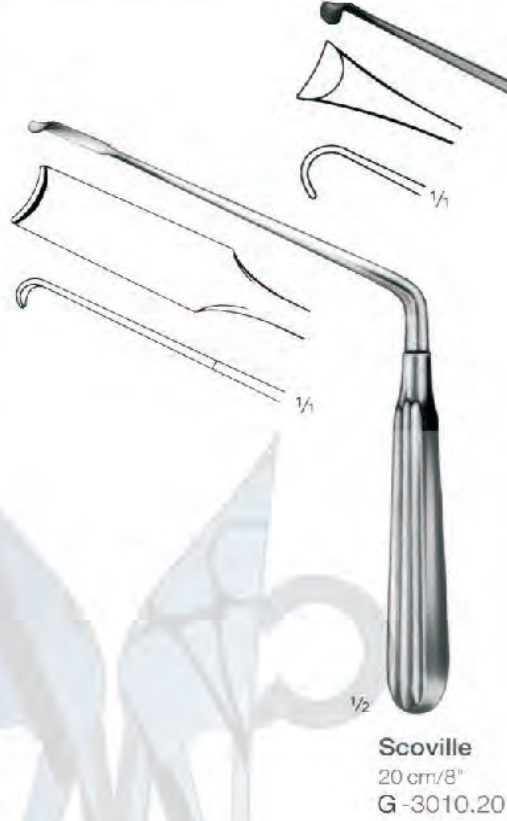
**Nerve root retractors**  
**Rétracteurs pour racines nerveuses**  
**Separadores para raiz de nervios**



**Scoville**  
 23 cm/9"  
 G-3010.23



**Holsher**  
 24 cm/9 1/4"  
 G-3013.24



**Scoville**  
 20 cm/8"  
 G-3010.20



**Martin**  
 21 cm/8 1/4"  
 G-3017.21



**Love**  
 19.5 cm/8"  
 G-3019.00



**Love**  
 G-3019.45

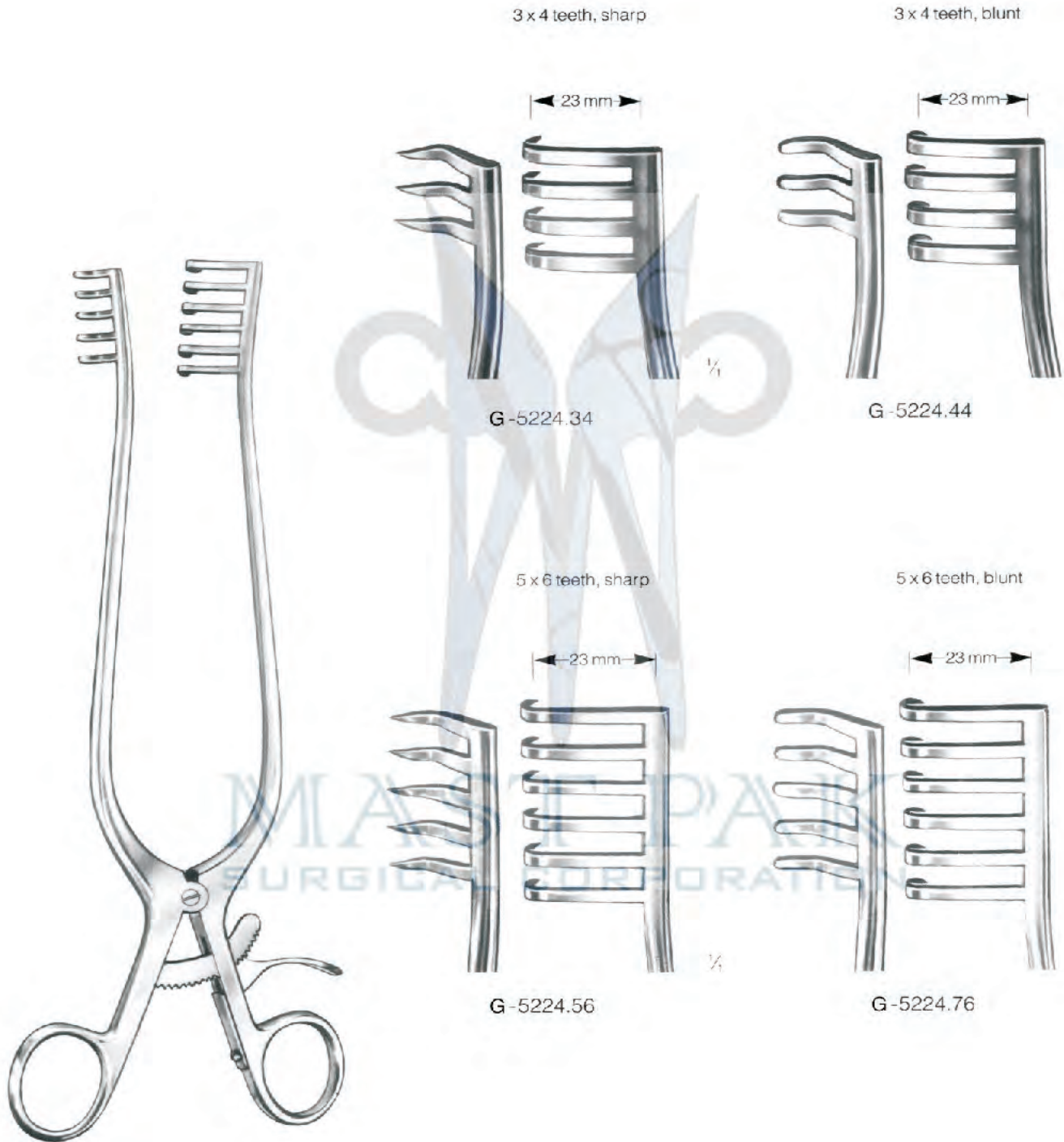


**Love**  
 21 cm/8 1/4"  
 G-3025.21



**Hess**  
 19 cm/7 1/2"

**Self - retaining retractors**  
**Ecarteurs autostatiques**  
**Separadores autostáticos**



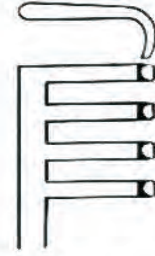
**Weitlaner**  
24 cm/9 1/2"

**Self - retaining retractors**  
**Ecarteurs autostatiques**  
**Separadores autostáticos**

sharp

3 x 4 teeth

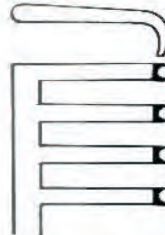
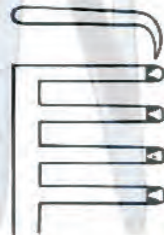
blunt



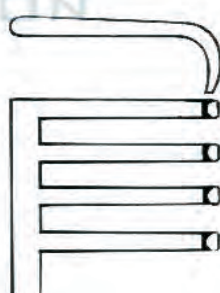
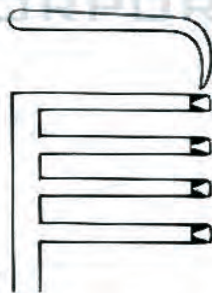
G-5263.34 **Adson-Baby (Cone)** G-5263.44  
**(Beckmann-Weitlaner)**  
 13 cm/5"



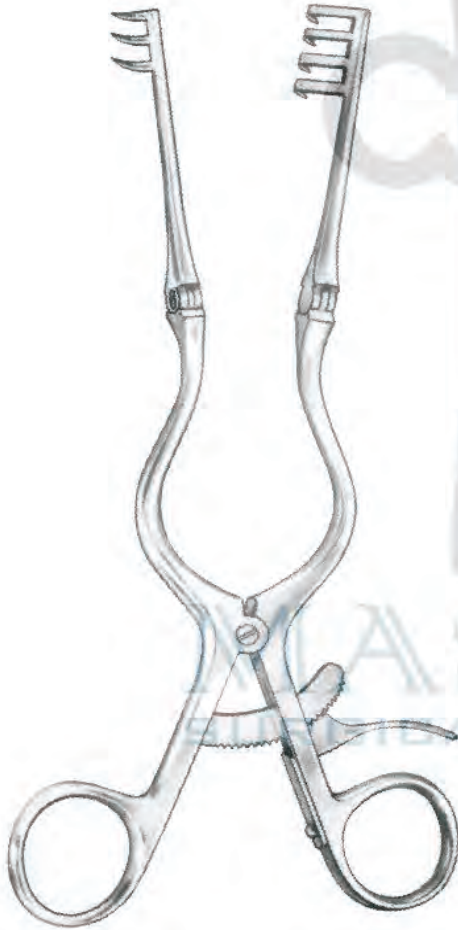
G-5266.34 **Adson-Baby (Cone)** G-5266.44  
**(Beckmann-Weitlaner)**  
 16 cm/6 1/2"



G-5270.34 **Adson-Baby (Cone)** G-5270.44  
**(Beckmann-Weitlaner)**  
 20 cm/8"



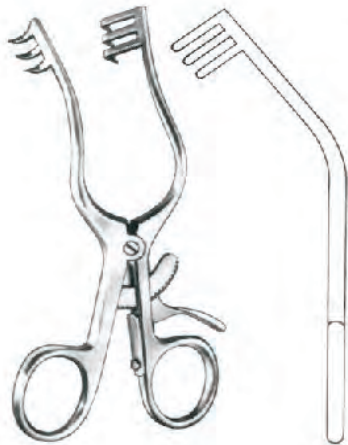
G-5274.34 **Adson** G-5274.44  
 24 cm/9 1/2"





**Self - retaining retractors**  
**Ecarteurs autostatiques**  
**Separadores autostáticos**

sharp



G-5383.11  
G-5383.13

blunt



**Wullstein**  
11,5 cm/4 1/2"  
13 cm/5"

G-5384.11  
G-5384.13

blunt



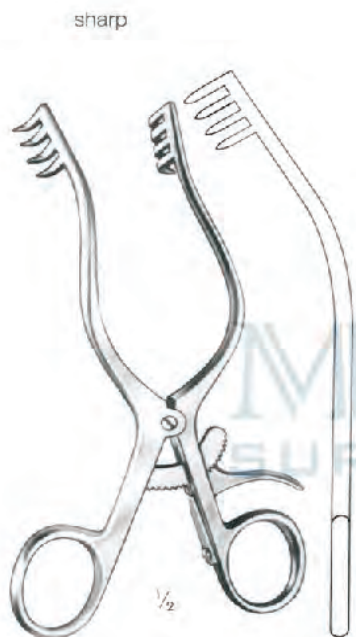
**Perkins**  
13 cm/5"  
G-5553.01

blunt



**Perkins**  
13 cm/5"  
G-5553.02

sharp



**Mollison**  
15 cm/6"  
G-5445.44

blunt



G-5620.44



**Adson**  
19 cm/7 1/2"

G-5620.84

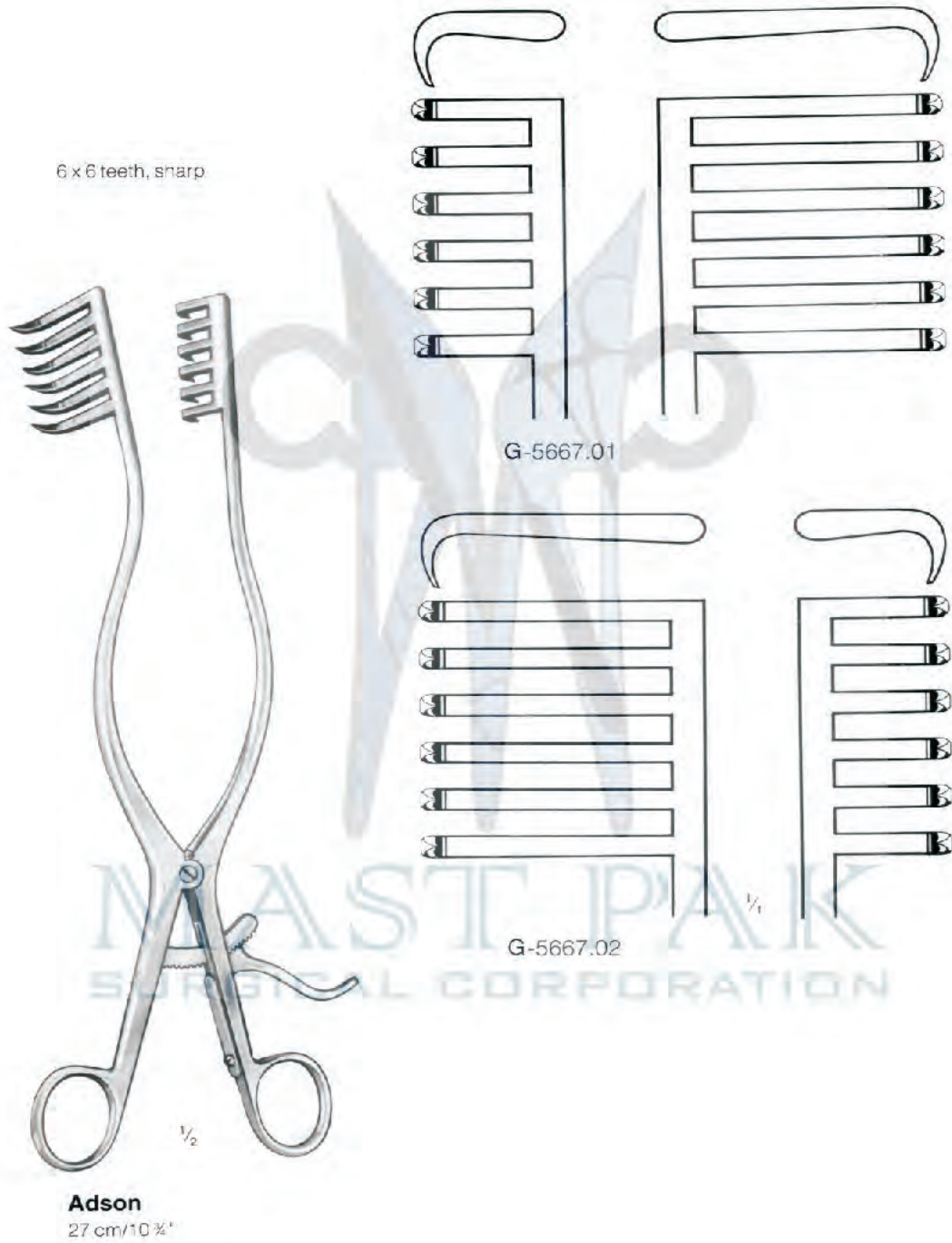
sharp



**Anderson-Adson**  
19,5 cm/7 3/4"  
G-5639.44

Self - retaining laminectomy retractors  
Ecarteurs autostatiques pour laminectomie  
Separadores autostáticos para laminectomía

---



**Self - retaining laminectomy retractors**  
**Ecarteurs autostatiques pour laminectomie**  
**Separadores autostáticos para laminectomía**



4 x 4 teeth, sharp



4 x 5 teeth, blunt



7 x 7 teeth, sharp



**Beckmann**  
 30,5 cm/12"  
 G-5681.44

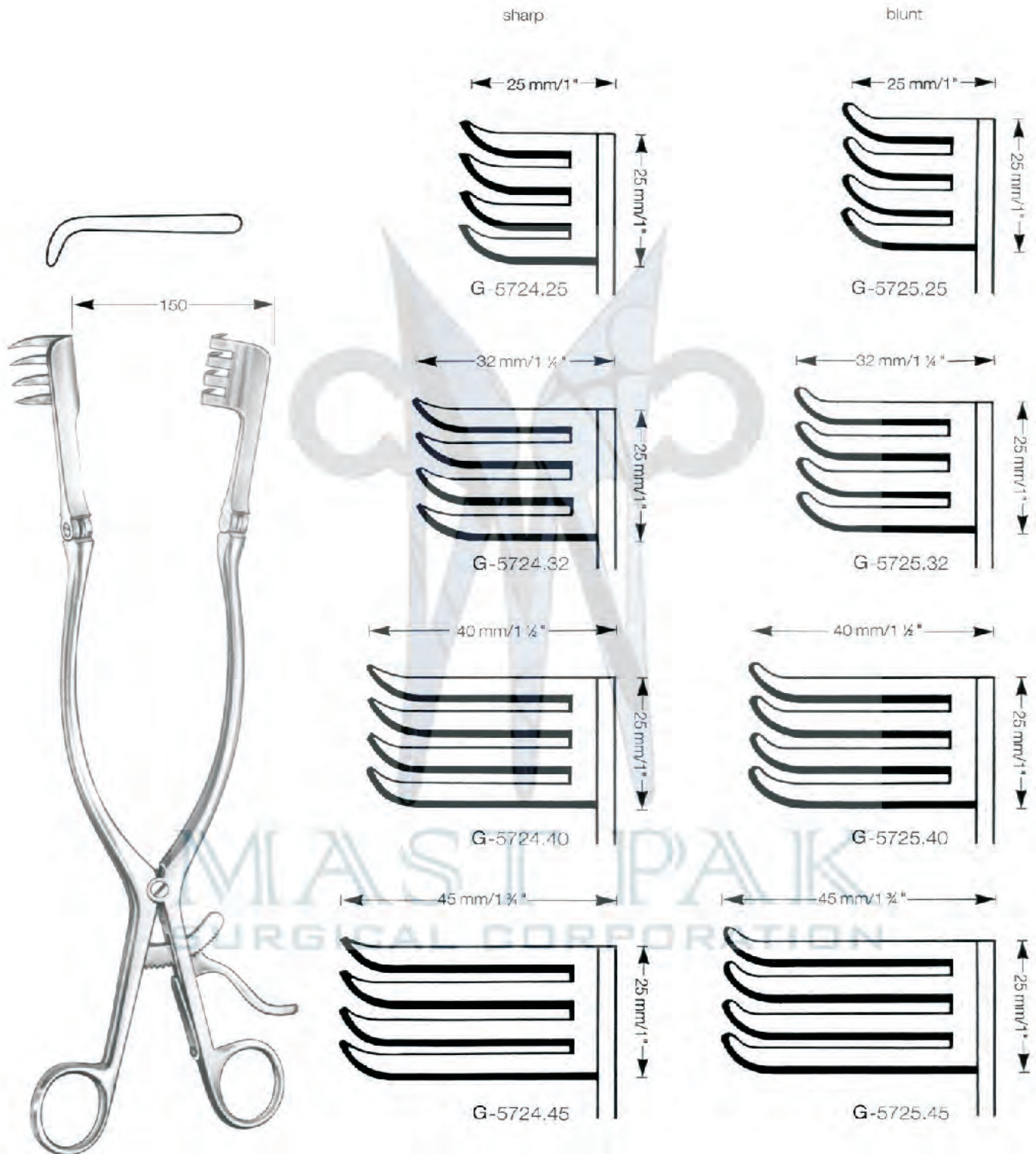


**Adson**  
 33 cm/13"  
 G-5693.45



**Beckmann-Eaton**  
 32 cm/12 1/2"  
 G-5702.77

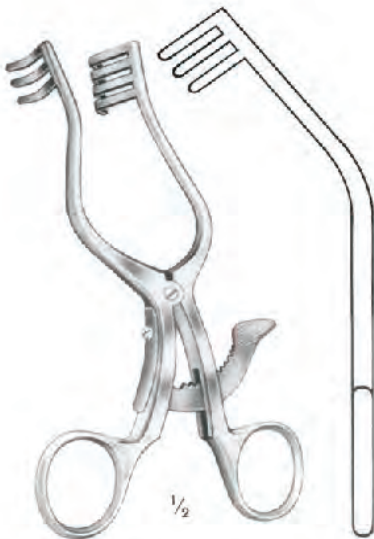
**Self - retaining laminectomy retractors**  
**Ecarteurs autostatiques pour laminectomie**  
**Separadores autostáticos para laminectomía**



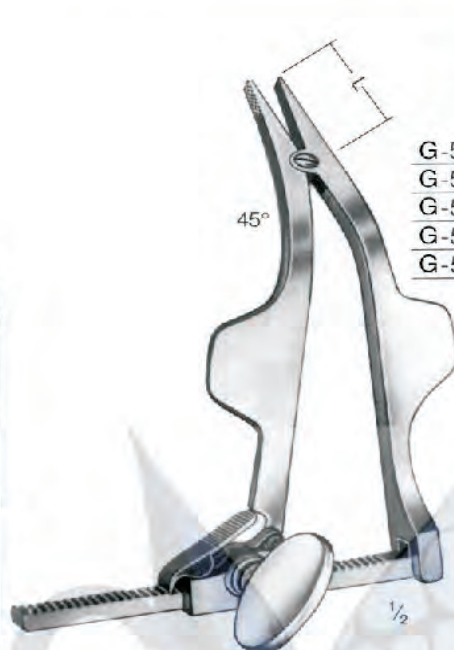
**Beckman-Adson**  
 30,5 cm/12"

**Self - retaining laminectomy retractors**  
**Ecarteurs autostatiques pour laminectomie**  
**Separadores autostáticos para laminectomía**

3 x 4 teeth, blunt



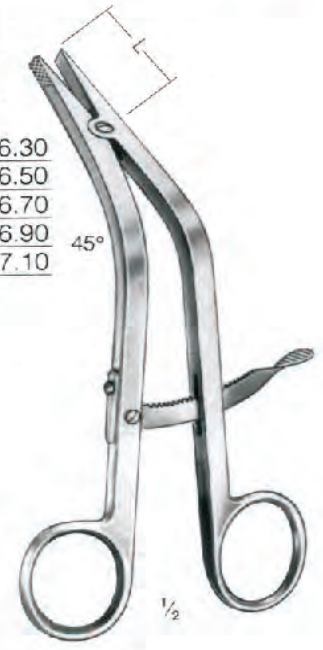
**Contour**  
 14 cm/5 1/2"  
 G-5824.64



**Cloward**  
 15 cm/6"  
 G-5874.30 - G-5875.10



L/mm		
G-5874.30	30	G-5876.30
G-5874.50	50	G-5876.50
G-5874.70	70	G-5876.70
G-5874.90	90	G-5876.90
G-5875.10	110	G-5877.10



**Cloward**  
 17 cm/6 3/4"  
 G-5876.30 - 10-5877.10

Hemilaminectomy Retractors

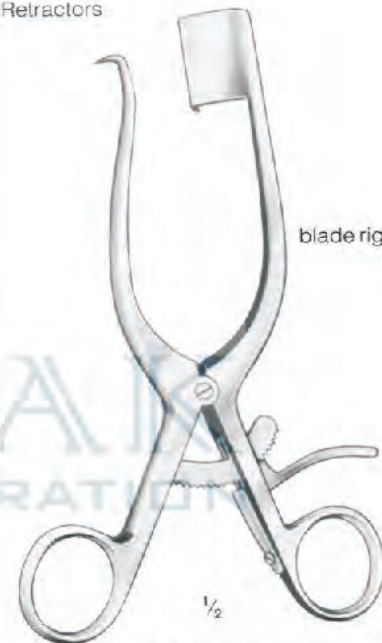


blade left hand side

**Meyerding**  
 20 cm/8"  
 G-5848.32 32 x 25 mm, 1 1/4" x 1"  
 G-5848.54 54 x 25 mm, 2 1/8" x 1"  
 G-5848.60 60 x 25 mm, 2 3/8" x 1"  
 G-5848.61 60 x 19 mm, 2 3/8" x 3/4"



**Markham-Meyerding**  
 18 cm/7"  
 G-5854.18



blade right hand side

**Markham-Meyerding**  
 18 cm/7"  
 G-5855.18

**Self - retaining laminectomy retractors**  
**Ecarteurs autostatiques pour laminectomie**  
**Separadores autostáticos para laminectomía**

blade opening 125 mm



**Cloward-Hoen**

23 cm/9"  
 G-5911.05

complete with 5 blunt blades

G-5911.00

Retractor without blades

blade opening 114 mm



**Cloward**

25 cm/10"  
 G-5912.05

G-5912.00

Retractor without blades



G-5910.40 = 40 mm  
 G-5910.45 = 45 mm  
 G-5910.50 = 50 mm  
 G-5910.55 = 55 mm  
 G-5910.60 = 60 mm

G-5910.95  
 set of 5 blunt blades  
 # G-5910.40 - 10-5910.60



G-5912.40 = 40 mm  
 G-5912.45 = 45 mm  
 G-5912.50 = 50 mm  
 G-5912.55 = 55 mm  
 G-5912.60 = 60 mm

G-5912.95  
 set of 5 toothed blades  
 # G-5912.40 - 10-5912.60

Curettes, Gouges, Chisels,  
Elevators & Dissectors

**Bone curettes**  
**Curettes tranchantes**  
**Cucharillas cortantes**



$\frac{1}{2}$   
**Epstein**  
 20 cm/8"



$\frac{1}{2}$   
**Hibbs-Spratt**  
 (Spinal-Fusion)  
 20 cm / 8"



$\frac{1}{2}$   
**Hibbs-Spratt**  
 (Spinal-Fusion)  
 20 cm / 8"

J-2060.33	Fig. 000	J-2070.33	Fig. 000	J-2081.33	Fig. 000
J-2060.42	Fig. 00	J-2070.42	Fig. 00	J-2081.42	Fig. 00
J-2060.50	Fig. 0	J-2070.50	Fig. 0	J-2081.50	Fig. 0
		J-2070.51	Fig. 1	J-2081.51	Fig. 1
		J-2070.52	Fig. 2	J-2081.52	Fig. 2
		J-2070.53	Fig. 3	J-2081.53	Fig. 3
		J-2070.54	Fig. 4	J-2081.54	Fig. 4
		J-2070.55	Fig. 5	J-2081.55	Fig. 5
		J-2070.56	Fig. 6	J-2081.56	Fig. 6



**Bone curettes**  
**Curettes tranchantes**  
**Cucharillas cortantes**



**Bruns**  
23 cm/9"



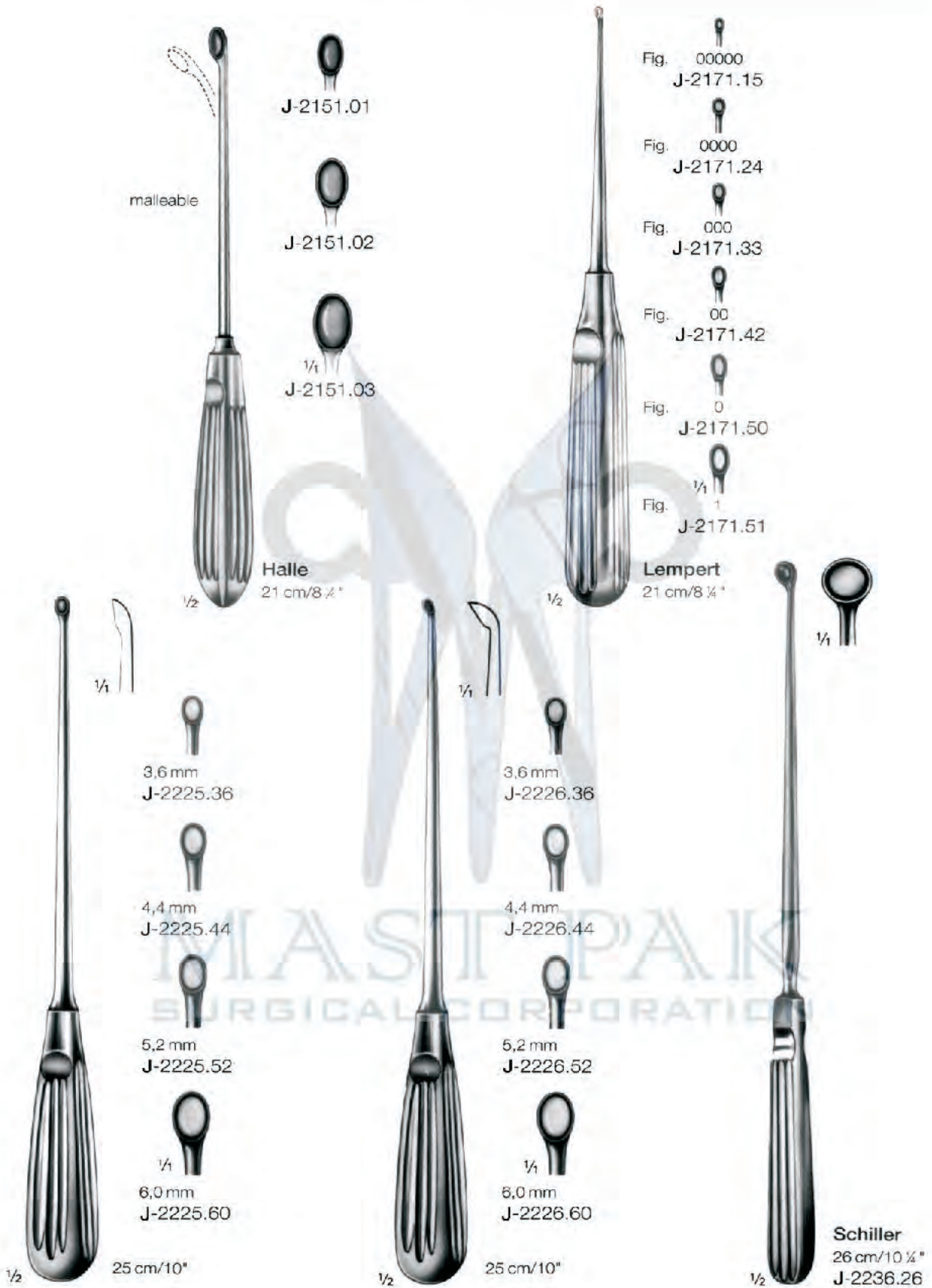
**Bruns**  
23 cm/9"



**Bruns**  
23 cm/9"

J-2092.33	Fig. 000	J-2093.33	Fig. 000	J-2096.33	Fig. 000
J-2092.42	Fig. 00	J-2093.42	Fig. 00	J-2096.42	Fig. 00
J-2092.50	Fig. 0	J-2093.50	Fig. 0	J-2096.50	Fig. 0
J-2092.51	Fig. 1	J-2093.51	Fig. 1	J-2096.51	Fig. 1
J-2092.52	Fig. 2	J-2093.52	Fig. 2	J-2096.52	Fig. 2
J-2092.53	Fig. 3	J-2093.53	Fig. 3	J-2096.53	Fig. 3
J-2092.54	Fig. 4	J-2093.54	Fig. 4	J-2096.54	Fig. 4
J-2092.55	Fig. 5	J-2093.55	Fig. 5	J-2096.55	Fig. 5
J-2092.56	Fig. 6	J-2093.56	Fig. 6	J-2096.56	Fig. 6

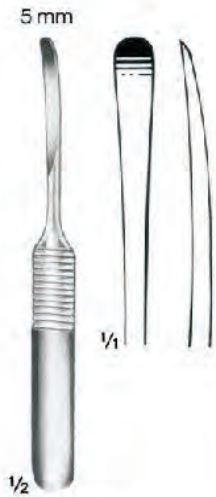
**Bone curettes**  
**Curettes tranchantes**  
**Cucharillas cortantes**



# Raspatories Raspatoires Periostótomos



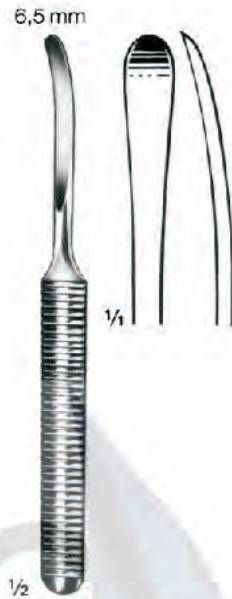
**Raspatories**  
**Raspatoires**  
**Periostótomos**



**Williger**  
 13 cm/5"  
 J-3113.05



**Williger**  
 16 cm/6 1/4"  
 J-3116.40



**Williger**  
 16 cm/6 1/4"  
 J-3116.65



**Fomon**  
 17 cm/6 3/4"  
 J-3127.04



**Joseph**  
 16 cm/6 1/4"  
 J-3136.04



**Joseph**  
 16 cm/6 1/4"  
 J-3137.04



**Jansen**  
 16,5 cm/6 1/2"  
 J-3146.15



**Schneider**  
 17,5 cm/7"  
 J-3157.13



**Schneider-Sauerbruch**  
 19 cm/7 1/2"  
 J-3159.13



**Sedillot**  
 18 cm/7"  
 J-3168.18



**Sedillot**  
 21 cm/8 1/4"  
 J-3171.15

MASTRAK  
 SURGICAL CORPORATION

**Dissectors, elevators**  
**Dissecteurs, décolleurs**  
**Disecadores, elevadores**



**„Joker“**  
 16 cm/6 1/4"  
 J-4175.16

**Alderdyce**  
 21 cm/8 1/4"  
 J-4181.21

**McDonald**  
 19 cm/7 1/2"  
 J-4183.19

**Freer**  
 18,5 cm/7 1/4"  
 J-4185.18

**Elevators, raspatories**  
**Décolleurs, rugines**  
**Elevadores, periostótomos**



**Dissectors, dura separators**  
**Dissecteurs, séparateurs pour dure-mère**  
**Disecadores, descoladores de dura-madre**



**Sachs**  
 21 cm/8 1/4"  
 J-4307.21



**Woodson**  
 25 cm/10"  
 J-4319.25



**Davis**  
 24,5 cm/9 3/4"  
 J-4325.24



21 cm/8 1/4"  
 J-4330.21

**Dura Separators, zygoma elevators**  
**Separateurs pour-mère, élévateurs pour l'arcade zygomatique**  
**Descoladores de dura-madre, elevadores para zigoma**



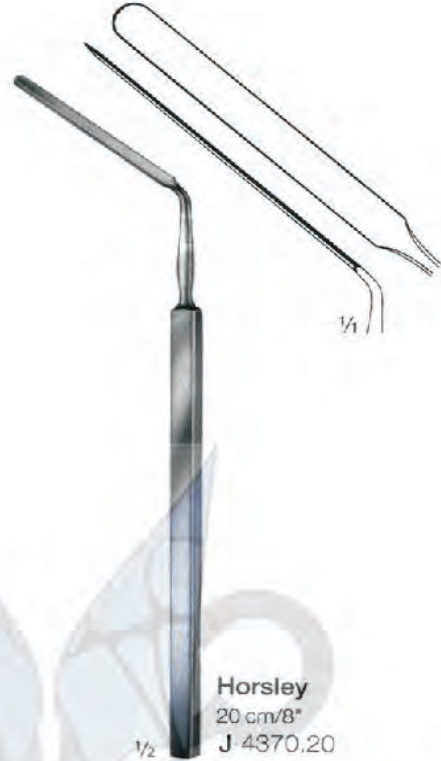
**Frazier**  
 15 cm/6"  
 J-4365.01



**Hoen**  
 15 cm/6"  
 J-4365.45



**Hoen**  
 15 cm/6"  
 J-4365.90



**Horsley**  
 20 cm/8"  
 J-4370.20



**Sachs**  
 21 cm/8 1/4"  
 J-4375.21



**Dingman**  
 21 cm/8 1/4"  
 J-4513.21



**Gillies**  
 21 cm/8 1/4"  
 J-4525.21



**Gillies**  
 21 cm/8 1/4"  
 J-4527.21

MASTPAK  
 SURGICAL CORPORATION



**Dissectors, dura separators**  
**Dissecteurs, séparateurs pour dure-mère**  
**Disecadores, descoladores de dura-madre**



**Tönnis**  
 24 cm/9 1/2"



J-4334.01

J-4334.02



**Fager**  
 20 cm/8"  
 J-4340.01



**Fager**  
 20 cm/8"  
 J-4340.02



**Sachs**  
 21 cm/8 1/4"  
 J-4350.21



**Milligan**  
 21 cm/8 1/4"  
 J-4355.21

MASTIPAK  
 SURGICAL CORPORATION

**Dura dissectors**  
**Décolles dure-mère**  
**Disecadores de duramadre**

---



**Penfield**  
Fig. 1  
17,5 cm/7"  
J-4388.01



**Penfield**  
Fig. 2  
19,5 cm/7 3/4"  
J-4388.02



**Penfield**  
Fig. 3  
19,5 cm/7 3/4"  
J-4388.03



**Penfield**  
Fig. 4  
20,5 cm/8"  
J-4388.04

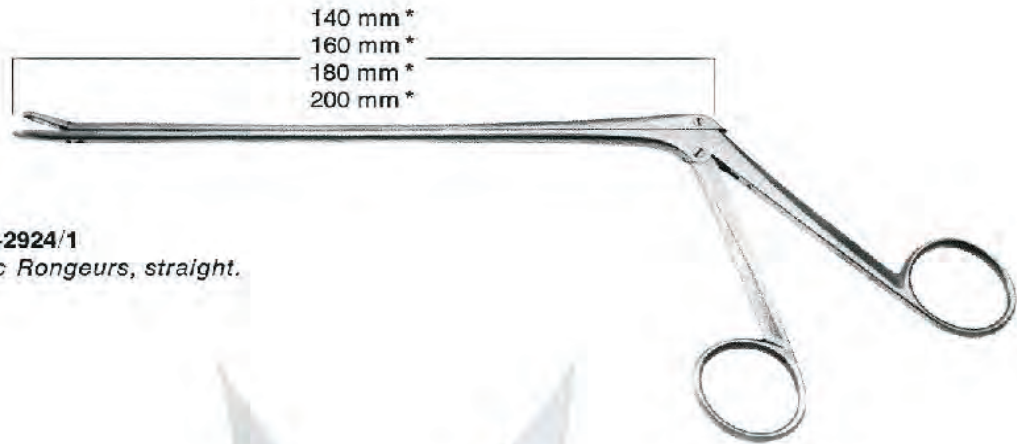


**Penfield**  
Fig. 5  
29 cm/11 1/4"  
J-4388.05

Kerrisons & Rongeurs



**Laminectomy rongeurs**  
**Pinces emporte-pièces à laminectomie**  
**Pinzas cortantes para laminectomía**

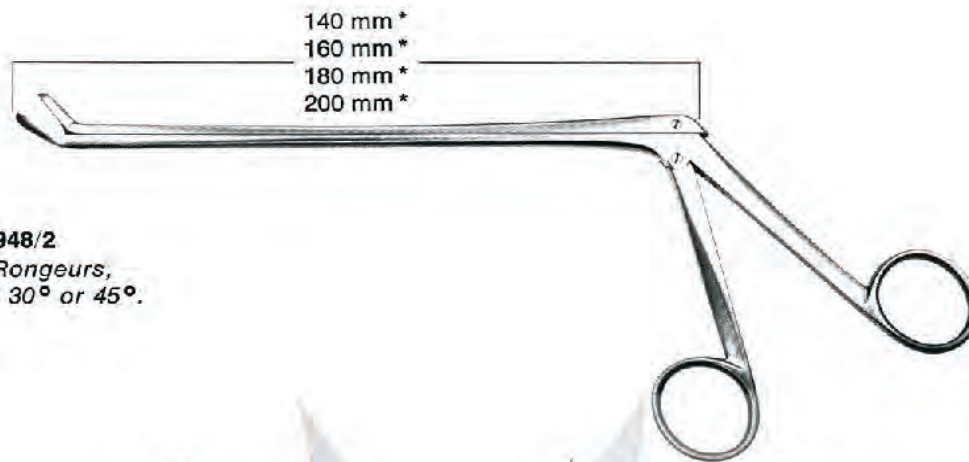


**k-2770/1 To k-2924/1**  
*Intervertebral Disc Rongeurs, straight.*

<i>width of jaw</i>	140 mm *	160 mm *	180 mm *	200 mm *
1,5 mm			<b>k-2829/1</b>	<b>k-2901/1</b>
2,0 mm			<b>k-2830/1</b>	<b>k-2902/1</b>
2,5 mm	<b>k-2770/1</b>	<b>k-2800/1</b>	<b>k-2831/1</b>	<b>k-2903/1</b>
3,0 mm	<b>k-2772/1</b>	<b>k-2802/1</b>	<b>k-2832/1</b>	<b>k-2904/1</b>
3,5 mm	<b>k-2774/1</b>	<b>k-2804/1</b>	<b>k-2834/1</b>	<b>k-2906/1</b>
4,0 mm	<b>k-2776/1</b>	<b>k-2806/1</b>	<b>k-2836/1</b>	<b>k-2908/1</b>
4,5 mm	<b>k-2778/1</b>	<b>k-2808/1</b>	<b>k-2838/1</b>	<b>k-2910/1</b>
5,0 mm			<b>k-2840/1</b>	<b>k-2912/1</b>
5,5 mm			<b>k-2842/1</b>	<b>k-2914/1</b>
6,0 mm			<b>k-2844/1</b>	<b>k-2916/1</b>
6,5 mm			<b>k-2846/1</b>	<b>k-2918/1</b>
7,0 mm			<b>k-2848/1</b>	<b>k-2920/1</b>
7,5 mm			<b>k-2850/1</b>	<b>k-2922/1</b>
8,0 mm			<b>k-2852/1</b>	<b>k-2924/1</b>

MAIST PAK  
 SURGICAL CORPORATION

**Laminectomy rongeurs**  
**Pinces emporte-pièces à laminectomie**  
**Pinzas cortantes para laminectomía**



**K-2780/1 To K-2948/2**  
*Intervertebral Disc Rongeurs,*  
*jaws angled upward 30° or 45°.*



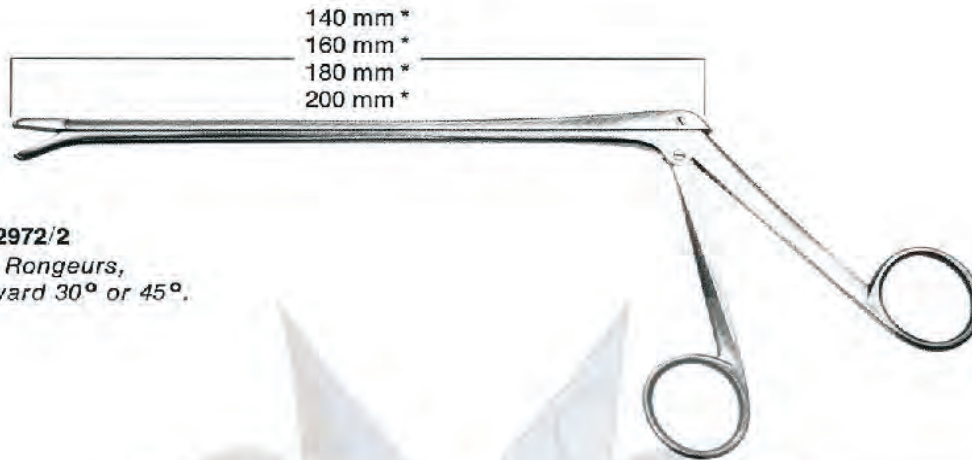
Maulbreiten width of jaw	30°				45°			
	140 mm *	160 mm *	180 mm *	200 mm *	140 mm *	160 mm *	180 mm *	200 mm *
1,5 mm			K-2853/1	K-2925/1			K-2853/2	K-2925/2
2,0 mm			K-2854/1	K-2926/1			K-2854/2	K-2926/2
2,5 mm	K-2780/1	K-2810/1	K-2855/1	K-2927/1	K-2780/2	K-2810/2	K-2855/2	K-2927/2
3,0 mm	K-2782/1	K-2812/1	K-2856/1	K-2928/1	K-2782/2	K-2812/2	K-2856/2	K-2928/2
3,5 mm	K-2784/1	K-2814/1	K-2858/1	K-2930/1	K-2784/2	K-2814/2	K-2858/2	K-2930/2
4,0 mm	K-2786/1	K-2816/1	K-2860/1	K-2932/1	K-2786/2	K-2816/2	K-2860/2	K-2932/2
4,5 mm	K-2788/1	K-2818/1	K-2862/1	K-2934/1	K-2788/2	K-2818/2	K-2862/2	K-2934/2
5,0 mm			K-2864/1	K-2936/1			K-2864/2	K-2936/2
5,5 mm			K-2866/1	K-2938/1			K-2866/2	K-2938/2
6,0 mm			K-2868/1	K-2940/1			K-2868/2	K-2940/2
6,5 mm			K-2870/1	K-2942/1			K-2870/2	K-2942/2
7,0 mm			K-2872/1	K-2944/1			K-2872/2	K-2944/2
7,5 mm			K-2874/1	K-2946/1			K-2874/2	K-2946/2
8,0 mm			K-2876/1	K-2948/1			K-2876/2	K-2948/2

MASTEPAK  
 SURGICAL CORPORATION

# Laminectomy rongeurs

## Pinces emporte-pièces à laminectomie

### Pinzas cortantes para laminectomía



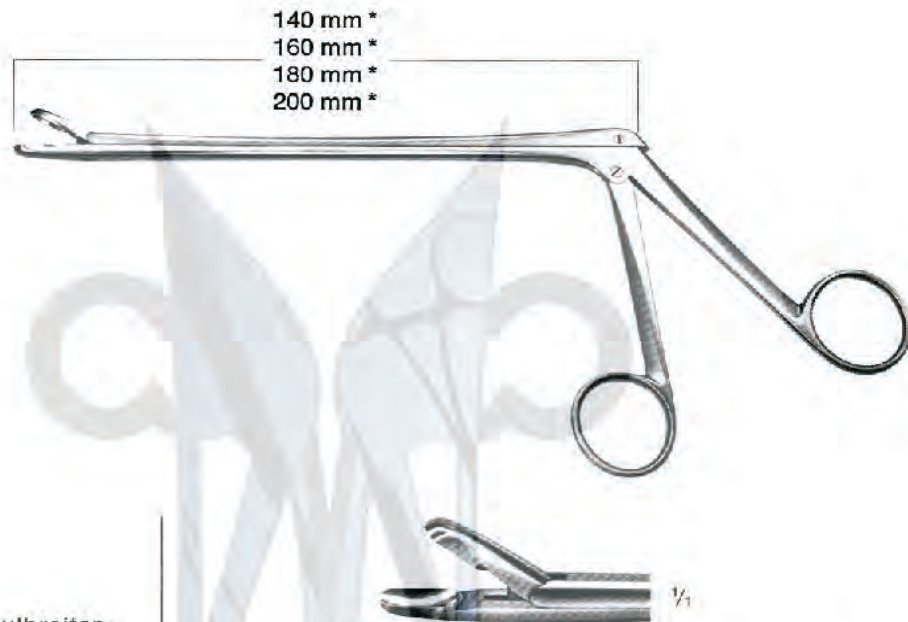
**K-2790/1 To K-2972/2**  
Intervertebral Disc Rongeurs,  
jaws angled downward 30° or 45°.

Maulbreiten width of jaw	30°				45°			
	140 mm*	160 mm*	180 mm*	200 mm*	140 mm*	160 mm*	180 mm*	200 mm*
1,5 mm			K-2877/1	K-2949/1			K-2877/2	K-2949/2
2,0 mm			K-2878/1	K-2950/1			K-2878/2	K-2950/2
2,5 mm	K-2790/1	K-2820/1	K-2879/1	K-2951/1	K-2790/2	K-2820/2	K-2879/2	K-2951/2
3,0 mm	K-2792/1	K-2822/1	K-2880/1	K-2952/1	K-2792/2	K-2822/2	K-2880/2	K-2952/2
3,5 mm	K-2794/1	K-2824/1	K-2882/1	K-2954/1	K-2794/2	K-2824/2	K-2882/2	K-2954/2
4,0 mm	K-2796/1	K-2826/1	K-2884/1	K-2956/1	K-2796/2	K-2826/2	K-2884/2	K-2956/2
4,5 mm	K-2798/1	K-2828/1	K-2886/1	K-2958/1	K-2798/2	K-2828/2	K-2886/2	K-2958/2
5,0 mm			K-2888/1	K-2960/1			K-2888/2	K-2960/2
5,5 mm			K-2890/1	K-2962/1			K-2890/2	K-2962/2
6,0 mm			K-2892/1	K-2964/1			K-2892/2	K-2964/2
6,5 mm			K-2894/1	K-2966/1			K-2894/2	K-2966/2
7,0 mm			K-2896/1	K-2968/1			K-2896/2	K-2968/2
7,5 mm			K-2898/1	K-2970/1			K-2898/2	K-2970/2
8,0 mm			K-2900/1	K-2972/1			K-2900/2	K-2972/2

**Laminectomy rongeurs**  
**Pincas emporte-pièces à laminectomie**  
**Pinzas cortantes para laminectomía**

**K-2774/11 To K-2916/11**

*Spurling Intervertebral Disc Rongeurs,  
 straight.*



Maulbreiten width of jaw	140 mm *	160 mm *	180 mm *	200 mm *
3,5 mm	K-2774/11	K-2804/11	K-2834/11	K-2906/11
4,0 mm	K-2776/11	K-2806/11	K-2836/11	K-2908/11
4,5 mm	K-2778/11	K-2808/11	K-2838/11	K-2910/11
5,0 mm			K-2840/11	K-2912/11
5,5 mm			K-2842/11	K-2914/11
6,0 mm			K-2844/11	K-2916/11









MAST PAK  
 SURGICAL CORPORATION

# Laminectomy rongeurs









## Pinces emporte-pièces à laminectomie

### Pinzas cortantes para laminectomía

**K-2784/11 To K-2940/21**  
Spurling Intervertebral Disc Rongeurs,  
angled upward 30° or 45°.

Maulbreiten width of jaw								
	140 mm *	160 mm *	180 mm *	200 mm *	140 mm *	160 mm *	180 mm *	200 mm *
 3,5 mm	K-2784/11	K-2814/11	K-2858/11	K-2930/11	K-2784/21	K-2814/21	K-2858/21	K-2930/21
 4,0 mm	K-2786/11	K-2816/11	K-2860/11	K-2932/11	K-2786/21	K-2816/21	K-2860/21	K-2932/21
 4,5 mm	K-2788/11	K-2818/11	K-2862/11	K-2934/11	K-2788/21	K-2818/21	K-2862/21	K-2934/21
 5,0 mm			K-2864/11	K-2936/11			K-2864/21	K-2936/21
 5,5 mm			K-2866/11	K-2938/11			K-2866/21	K-2938/21
 6,0 mm			K-2868/11	K-2940/11			K-2868/21	K-2940/21

**K-2794/11 To K-2964/21**  
Spurling Intervertebral Disc Rongeurs,  
angled downward 30° or 45°.

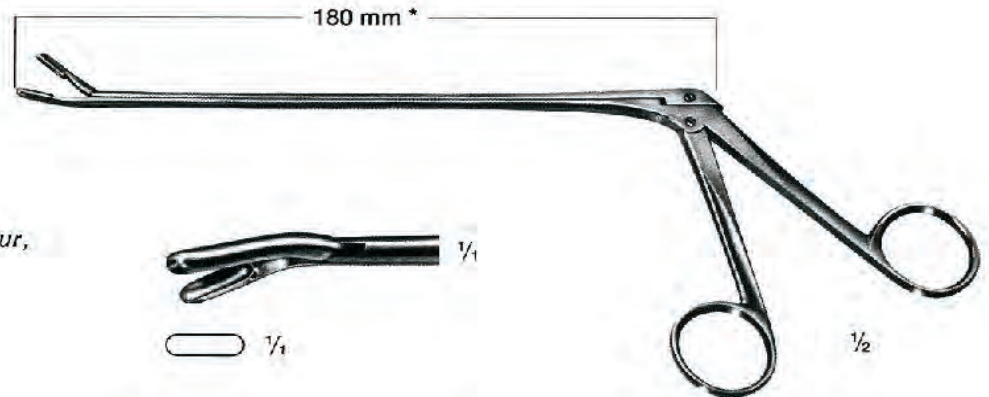
Maulbreiten width of jaw								
	140 mm *	160 mm *	180 mm *	200 mm *	140 mm *	160 mm *	180 mm *	200 mm *
 3,5 mm	K-2794/11	K-2824/11	K-2882/11	K-2954/11	K-2794/21	K-2824/21	K-2882/21	K-2954/21
 4,0 mm	K-2796/11	K-2826/11	K-2884/11	K-2956/11	K-2796/21	K-2826/21	K-2884/21	K-2956/21
 4,5 mm	K-2798/11	K-2828/11	K-2886/11	K-2958/11	K-2798/21	K-2828/21	K-2886/21	K-2958/21
 5,0 mm			K-2888/11	K-2960/11			K-2888/21	K-2960/21
 5,5 mm			K-2890/11	K-2962/11			K-2890/21	K-2962/21
 6,0 mm			K-2892/11	K-2964/11			K-2892/21	K-2964/21



**Laminectomy rongeurs**  
**Pinces emporte-pièces à laminectomie**  
**Pinzas cortantes para laminectomía**

**K-2976/1**

*Spurling Intervertebral Disc Rongeur, angled to left, 3 mm wide jaws, 180 mm long.\**



**K-2976/2**

*Spurling Intervertebral Disc Rongeur, angled to right, 3 mm wide jaws, 180 mm long.\**



**K-2977/1**



*Intervertebral Disc Rongeur, 4 mm diameter round cup, 180 mm long.\**

**K-2977/2**



*Intervertebral Disc Rongeur, 5 mm diameter round cup, 180 mm long.\**

**K-2977/3**



*Intervertebral Disc Rongeur, 6 mm diameter round cup, 180 mm long.\**

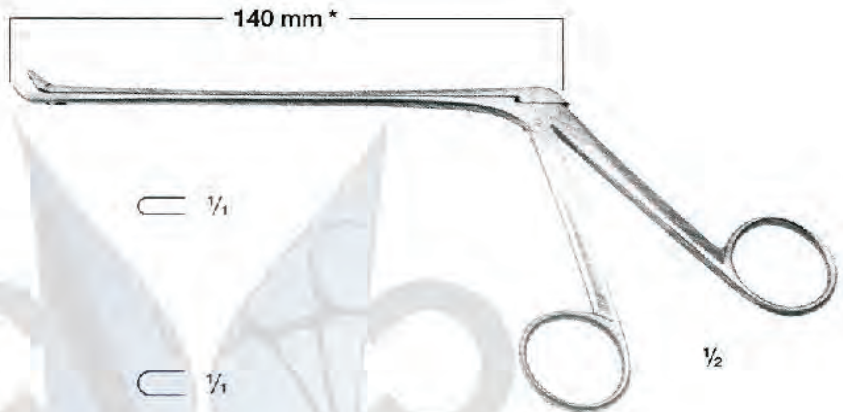
MASTERS MARK  
 SURGICAL CORPORATION

**Laminectomy rongeurs**  
**Pinces emporte-pièces à laminectomie**  
**Pinzas cortantes para laminectomía**

---

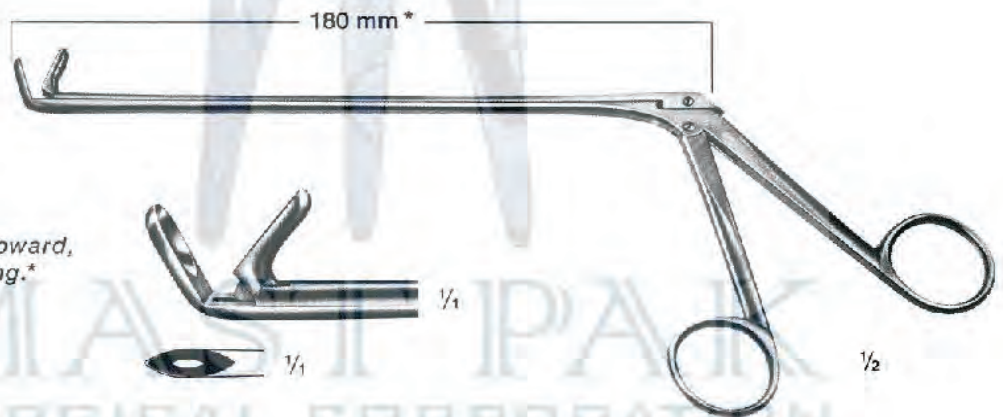
**K-2978/1**

*Peapod Rongeur, angled upward,  
2.5 mm wide jaws, 140 mm long.\**



**K-2978/2**

*Peapod Rongeur, angled upward,  
3.5 mm wide jaws, 140 mm long.\**

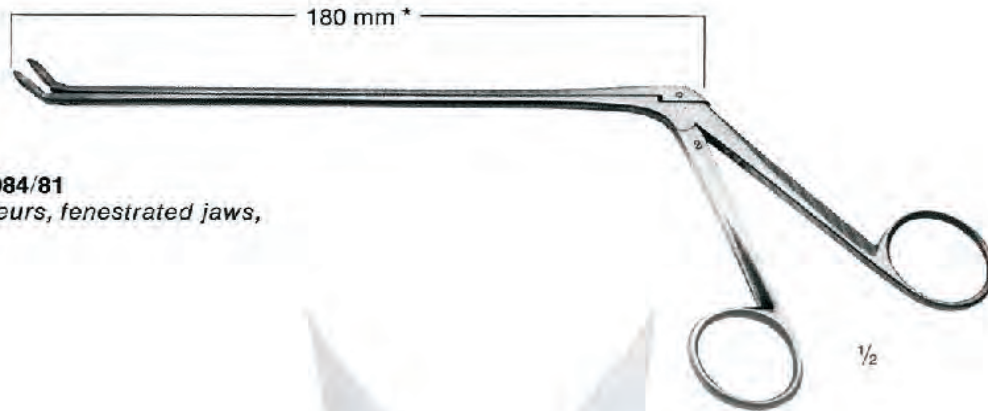


**K-2979**

*Jackson Rongeur, angled upward,  
4 mm wide jaws, 180 mm long.\**








**Laminectomy rongeurs**  
**Pinces emporte-pièces à laminectomie**  
**Pinzas cortantes para laminectomía**



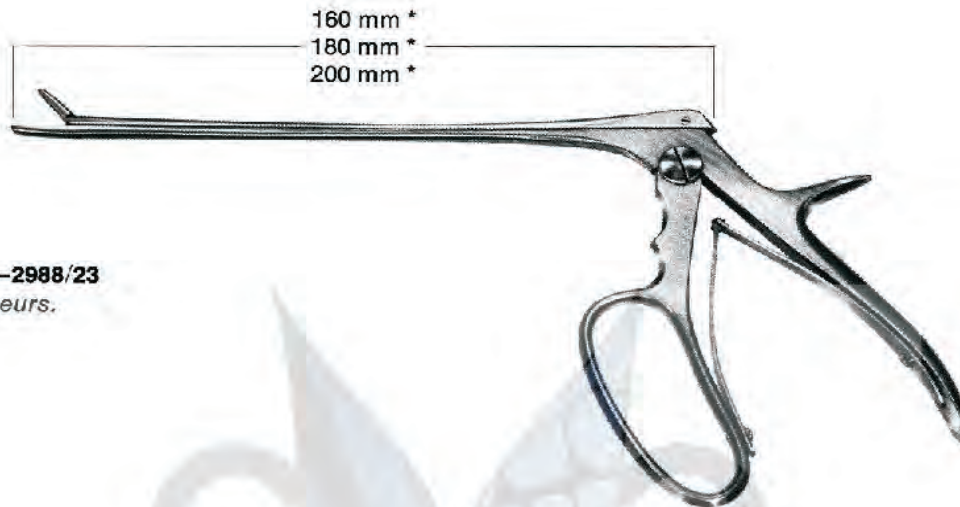
**K-2980/1 To K-2984/81**  
*Weil-Blakesley Rongeurs, fenestrated jaws,*  
*180 mm long.\**



*width of jaw*

	2,5 mm	K-2980/1	K-2982/1	K-2982/11	K-2984/1	K-2984/11
	3,0 mm	K-2980/2	K-2982/2	K-2982/21	K-2984/2	K-2984/21
	3,5 mm	K-2980/3	K-2982/3	K-2982/31	K-2984/3	K-2984/31
	4,0 mm	K-2980/4	K-2982/4	K-2982/41	K-2984/4	K-2984/41
	4,5 mm	K-2980/5	K-2982/5	K-2982/51	K-2984/5	K-2984/51
	5,0 mm	K-2980/6	K-2982/6	K-2982/61	K-2984/6	K-2984/61
	5,5 mm	K-2980/7	K-2982/7	K-2982/71	K-2984/7	K-2984/71
	6,0 mm	K-2980/8	K-2982/8	K-2982/81	K-2984/8	K-2984/81

**Laminectomy rongeurs**  
**Pinces emporte-pièces à laminectomie**  
**Pinzas cortantes para laminectomía**

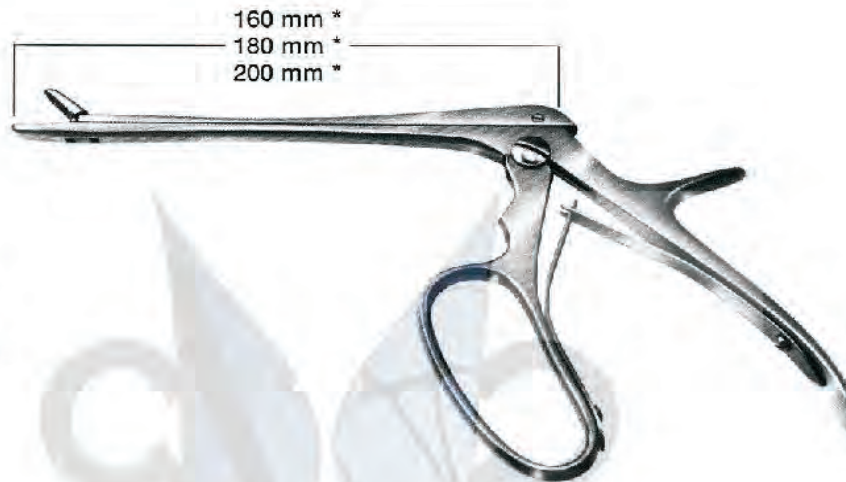


**K-2985/1 To K-2988/23**  
*Ferris-Smith Rongeurs.*













		Maulbreiten width of jaw	Längen / length		
			160 mm *	180 mm *	200 mm *
<i>Straight Jaws</i>		 2,5 mm	K-2985/1	K-2985/2	K-2985/3
		 3,0 mm	K-2986/1	K-2986/2	K-2986/3
		 3,5 mm	K-2987/1	K-2987/2	K-2987/3
		 4,0 mm	K-2988/1	K-2988/2	K-2988/3
<i>Jaws 30° angled upward</i>		 2,5 mm	K-2985/11	K-2985/12	K-2985/13
		 3,0 mm	K-2986/11	K-2986/12	K-2986/13
		 3,5 mm	K-2987/11	K-2987/12	K-2987/13
		 4,0 mm	K-2988/11	K-2988/12	K-2988/13
<i>Jaws 30° angled downward</i>		 2,5 mm	K-2985/21	K-2985/22	K-2985/23
		 3,0 mm	K-2986/21	K-2986/22	K-2986/23
		 3,5 mm	K-2987/21	K-2987/22	K-2987/23
		 4,0 mm	K-2988/21	75-2988/22	K-2988/23

MASTIPAK  
 SURGICAL CORPORATION

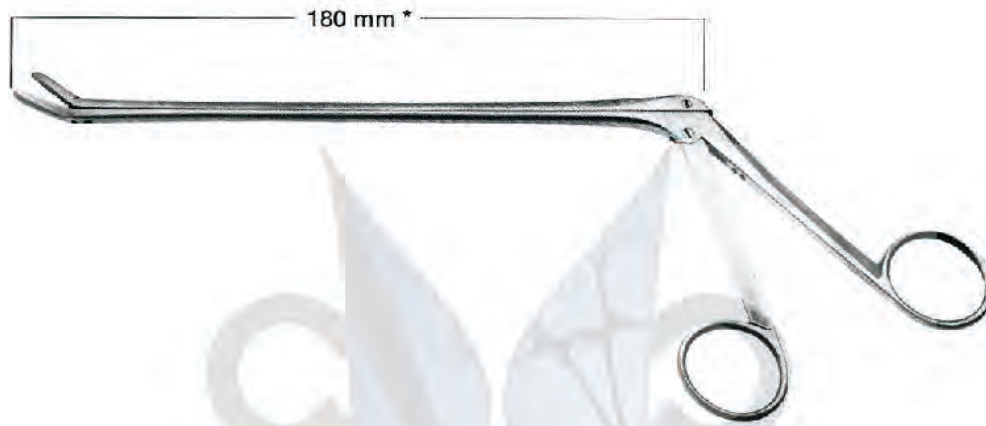
**Laminectomy rongeurs**  
**Pinces emporte-pièces à laminectomie**  
**Pinzas cortantes para laminectomía**



**K-2999/1 To K-2999/26**  
**Cloward Type Rongeurs**  
**with Ferris-Smith handle,**  
**concave and serrated jaws.**

		Maulbreiten width of jaw	Längen / length		
			160 mm *	180 mm *	200 mm *
<b>Straight Jaws</b>		 4 mm	K-2999/1	K-2999/2	K-2999/3
		 6 mm	K-2999/4	K-2999/5	K-2999/6
<b>Maul 30° Jaws 30° angled upward</b>		 4 mm	K-2999/11	K-2999/12	K-2999/13
		 6 mm	K-2999/14	K-2999/15	K-2999/16
<b>Maul 30° Jaws 30° angled downward</b>		 4 mm	K-2999/21	K-2999/22	K-2999/23
		 6 mm	K-2999/24	K-2999/25	K-2999/26

**Laminectomy rongeurs**  
**Pinces emporte-pièces à laminectomie**  
**Pinzas cortantes para laminectomía**



**K-2990/1 To K-2990/3**



*Hoffman Grasping Forceps,  
 straight, serrated jaws, 180 mm long.\**

**K-2992/1 To K-2992/3**






*Hoffman Grasping Forceps,  
 angled 30° upward, serrated jaws,  
 180 mm long.\**

**K-2994/1 To K-2994/3**



*Hoffman Grasping Forceps,  
 angled 30° downward, serrated jaws,  
 180 mm long.\**

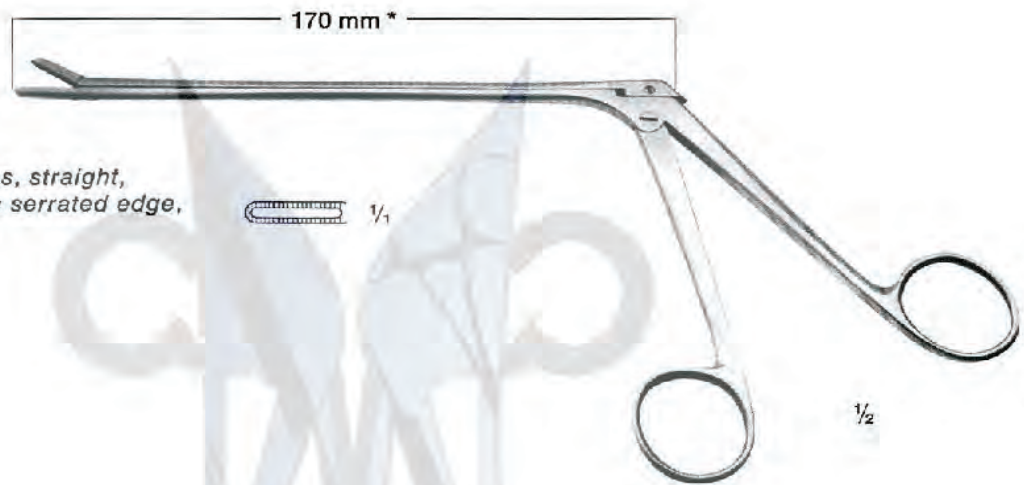
Maulbreiten width of jaw		MAST PAK MEDICAL CORPORATION		
 2.5 mm	<b>K-2990/1</b>	<b>K-2992/1</b>	<b>K-2994/1</b>	
 3.0 mm	<b>K-2990/2</b>	<b>K-2992/2</b>	<b>K-2994/2</b>	
 4.0 mm	<b>K-2990/3</b>	<b>K-2992/3</b>	<b>K-2994/3</b>	

Laminectomy rongeurs  
Pincas emporte-pièces à laminectomie  
Pinzas cortantes para laminectomía

---

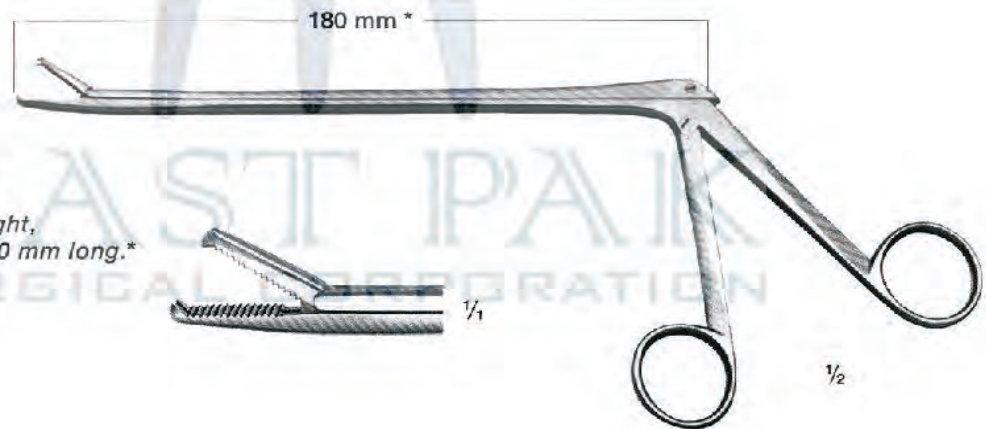
**K-2995**

*Schlesinger Grasping Forceps, straight,  
3 mm wide oval cup jaws with serrated edge,  
170 mm long.\**



**K-2996**

*Munich Grasping Forceps, straight,  
serrated jaws and 1 x 2 teeth, 180 mm long.\**

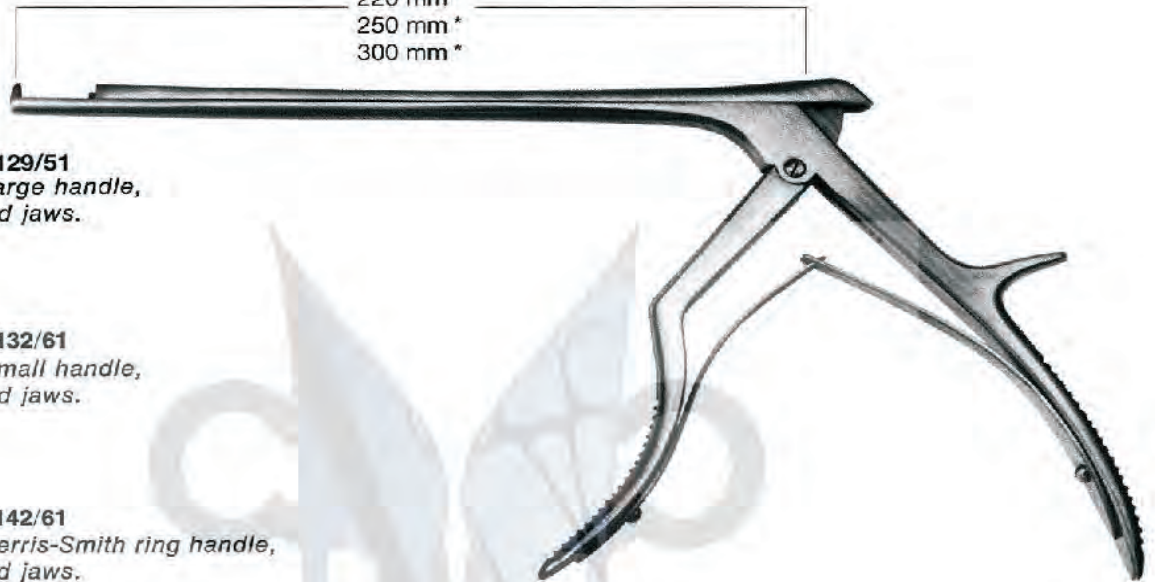


# Laminectomy rongeurs

## Pinces emporte-pièces à laminectomie

### Pinzas cortantes para laminectomía

180 mm \*  
200 mm \*  
220 mm \*  
250 mm \*  
300 mm \*



**K-3120/11 To K-3129/51**  
Kerrison Rongeurs, large handle,  
up-cutting, 90° angled jaws.

**K-3130/11 To K-3132/61**  
Kerrison Rongeurs, small handle,  
up-cutting, 90° angled jaws.

**K-3140/11 To K-3142/61**  
Kerrison Rongeurs, Ferris-Smith ring handle,  
up-cutting, 90° angled jaws.

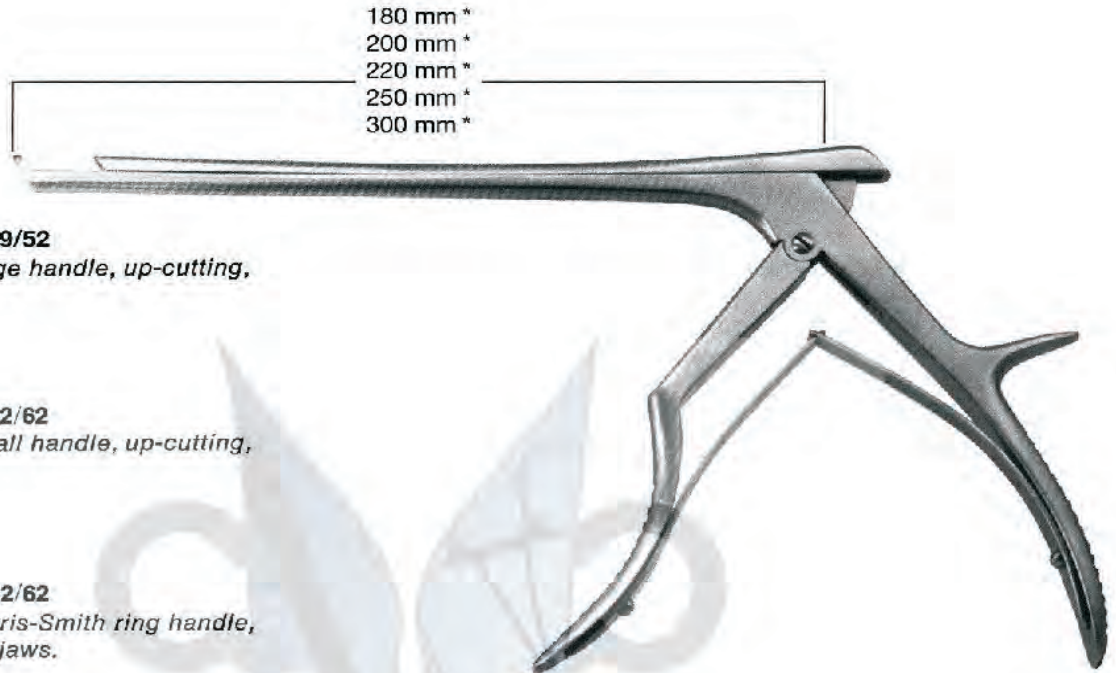
Size of jaw width x height mm	Large Kerrison					Small Kerrison		Kerrison Ferris-Smith- Kerrison	
	180 mm *	200 mm *	220 mm *	250 mm *	300 mm *	180 mm *	200 mm *	180 mm *	200 mm *
∩ 2,5 x 2,5	K-3120/11	K-3122/11	K-3124/11			K-3130/11	K-3132/11	K-3140/11	K-3142/11
∩ 2,0 x 3,0	K-3120/21	K-3122/21	K-3124/21	K-3125/21	K-3129/21	K-3130/21	K-3132/21	K-3140/21	K-3142/21
<i>with ejector</i>									
∩ 3,0 x 4,0	K-3120/31	K-3122/31	K-3124/31	K-3125/31	K-3129/31	K-3130/31	K-3132/31	K-3140/31	K-3142/31
∩ 4,0 x 5,0	K-3120/41	K-3122/41	K-3124/41	K-3125/41	K-3129/41	K-3130/41	K-3132/41	K-3140/41	K-3142/41
∩ 5,0 x 5,0	K-3120/51	K-3122/51	K-3124/51	K-3125/51	K-3129/51	K-3130/51	K-3132/51	K-3140/51	K-3142/51
∩ 6,0 x 5,0	K-3120/61	K-3122/61	K-3124/61			K-3130/61	K-3132/61	K-3140/61	K-3142/61
∩ 7,0 x 6,0	K-3120/71	K-3122/71	K-3124/71						



# Laminectomy rongeurs

## Pincas emporte-pièces à laminectomie

### Pinzas cortantes para laminectomía



**K-3120/12 To K-3129/52**  
*Kerrison Rongeurs, large handle, up-cutting, 50° angled jaws.*

**K-3130/12 To K-3132/62**  
*Kerrison Rongeurs, small handle, up-cutting, 50° angled jaws.*

**K-3140/12 To K-3142/62**  
*Kerrison Rongeurs, Ferris-Smith ring handle, up-cutting, 50° angled jaws.*



Large Kerrison



Small Kerrison



Ferris-Smith-Kerrison

Breite x Höhe  
width x height  
mm

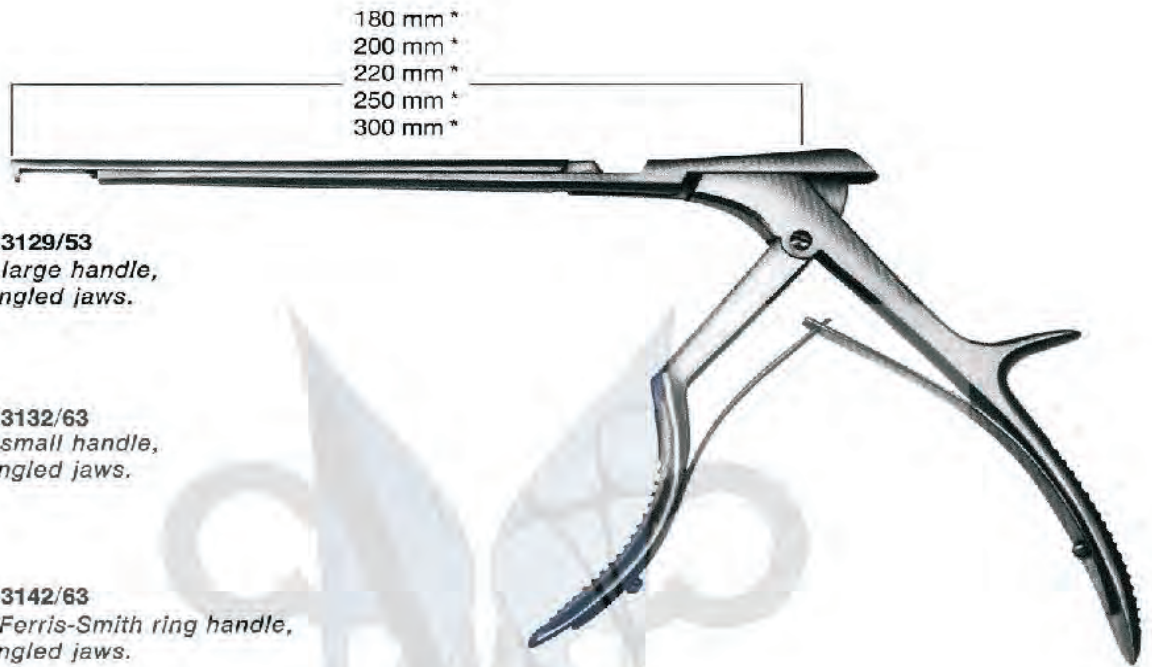
180 mm\* 200 mm\* 220 mm\* 250 mm\* 300 mm\* 180 mm\* 200 mm\* 180 mm\* 200 mm\*

	2,5 x 2,5	<b>K-3120/12</b>	<b>K-3122/12</b>	<b>K-3124/12</b>			<b>K-3130/12</b>	<b>K-3132/12</b>	<b>K-3140/12</b>	<b>K-3142/12</b>
	2,0 x 3,0	<b>K-3120/22</b>	<b>K-3122/22</b>	<b>K-3124/22</b>	<b>K-3125/22</b>	<b>K-3129/22</b>	<b>K-3130/22</b>	<b>K-3132/22</b>	<b>K-3140/22</b>	<b>K-3142/22</b>
	<i>with ejector</i>									
	3,0 x 4,0	<b>K-3120/32</b>	<b>K-3122/32</b>	<b>K-3124/32</b>	<b>K-3125/32</b>	<b>K-3129/32</b>	<b>K-3130/32</b>	<b>K-3132/32</b>	<b>K-3140/32</b>	<b>K-3142/32</b>
	4,0 x 5,0	<b>K-3120/42</b>	<b>K-3122/42</b>	<b>K-3124/42</b>	<b>K-3125/42</b>	<b>K-3129/42</b>	<b>K-3130/42</b>	<b>K-3132/42</b>	<b>K-3140/42</b>	<b>K-3142/42</b>
	5,0 x 5,0	<b>K-3120/52</b>	<b>K-3122/52</b>	<b>K-3124/52</b>	<b>K-3125/52</b>	<b>K-3129/52</b>	<b>K-3130/52</b>	<b>K-3132/52</b>	<b>K-3140/52</b>	<b>K-3142/52</b>
	6,0 x 5,0	<b>K-3120/62</b>	<b>K-3122/62</b>	<b>K-3124/62</b>			<b>K-3130/62</b>	<b>K-3132/62</b>	<b>K-3140/62</b>	<b>K-3142/62</b>
	7,0 x 6,0	<b>K-3120/72</b>	<b>K-3122/72</b>	<b>K-3124/72</b>						

# Laminectomy rongeurs

## Pinces emporte-pièces à laminectomie

### Pinzas cortantes para laminectomía



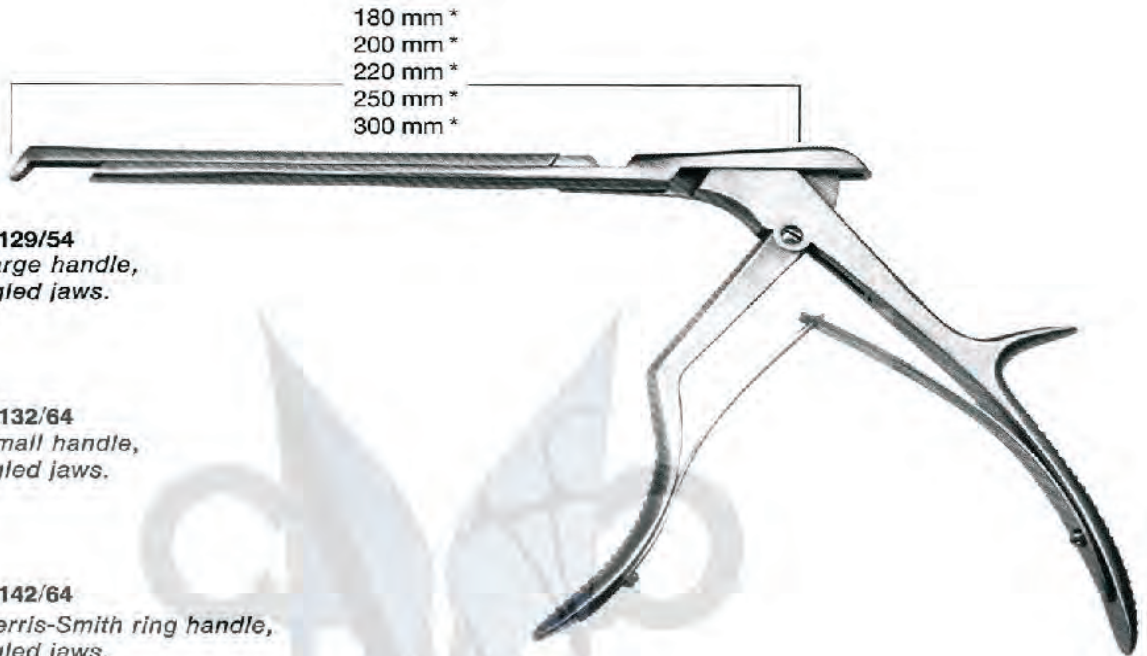
**K-3120/13 To K-3129/53**  
*Kerrison Rongeurs, large handle, down-cutting, 90° angled jaws.*

**K-3130/13 To K-3132/63**  
*Kerrison Rongeurs, small handle, down-cutting, 90° angled jaws.*

**K-3140/13 To K-3142/63**  
*Kerrison Rongeurs, Ferris-Smith ring handle, down-cutting, 90° angled jaws.*

	Large Kerrison					Small Kerrison		Ferris-Smith-Kerrison		
	width x height mm	180 mm *	200 mm *	220 mm *	250 mm *	300 mm *	180 mm *	200 mm *	180 mm *	200 mm *
U 2,5 x 2,5		<b>K-3120/13</b>	<b>K-3122/13</b>	<b>K-3124/13</b>			<b>K-3130/13</b>	<b>K-3132/13</b>	<b>K-3140/13</b>	<b>K-3142/13</b>
U 2,0 x 3,0		<b>K-3120/23</b>	<b>K-3122/23</b>	<b>K-3124/23</b>	<b>K-3125/23</b>	<b>K-3129/23</b>	<b>K-3130/23</b>	<b>K-3132/23</b>	<b>K-3140/23</b>	<b>K-3142/23</b>
<i>with ejector</i>										
U 3,0 x 4,0		<b>K-3120/33</b>	<b>K-3122/33</b>	<b>K-3124/33</b>	<b>K-3125/33</b>	<b>K-3129/33</b>	<b>K-3130/33</b>	<b>K-3132/33</b>	<b>K-3140/33</b>	<b>K-3142/33</b>
U 4,0 x 5,0		<b>K-3120/43</b>	<b>K-3122/43</b>	<b>K-3124/43</b>	<b>K-3125/43</b>	<b>K-3129/43</b>	<b>K-3130/43</b>	<b>K-3132/43</b>	<b>K-3140/43</b>	<b>K-3142/43</b>
U 5,0 x 5,0		<b>K-3120/53</b>	<b>K-3122/53</b>	<b>K-3124/53</b>	<b>K-3125/53</b>	<b>K-3129/53</b>	<b>K-3130/53</b>	<b>K-3132/53</b>	<b>K-3140/53</b>	<b>K-3142/53</b>
U 6,0 x 5,0		<b>K-3120/63</b>	<b>K-3122/63</b>	<b>K-3124/63</b>			<b>K-3130/63</b>	<b>K-3132/63</b>	<b>K-3140/63</b>	<b>K-3142/63</b>
U 7,0 x 6,0		<b>K-3120/73</b>	<b>K-3122/73</b>	<b>K-3124/73</b>						

**Laminectomy rongeurs**  
**Pinces emporte-pièces à laminectomie**  
**Pinzas cortantes para laminectomía**



**K-3120/14 To K-3129/54**  
*Kerrison Rongeurs, large handle, down-cutting, 50° angled jaws.*

**K-3130/14 To K-3132/64**  
*Kerrison Rongeurs, small handle, down-cutting, 50° angled jaws.*

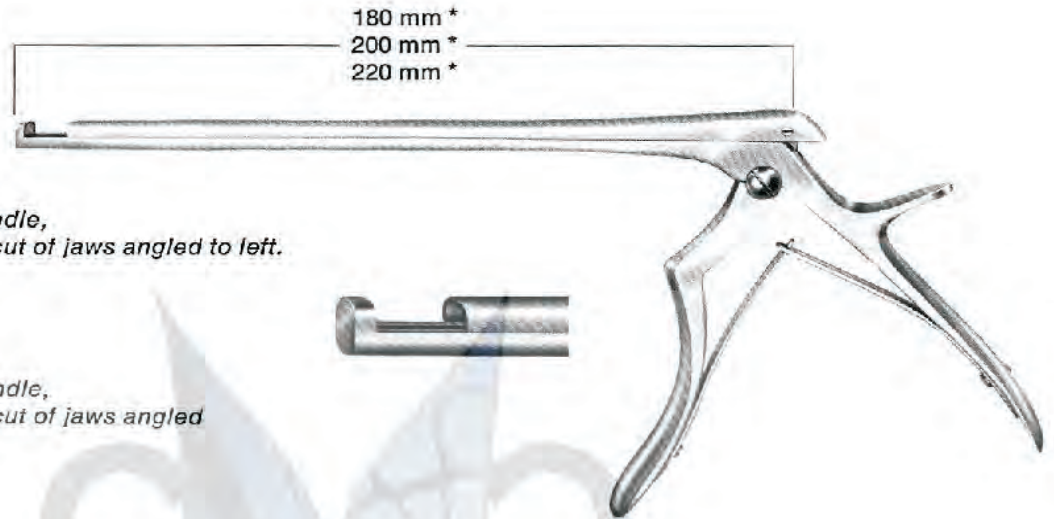
**K-3140/14 To K-3142/64**  
*Kerrison Rongeurs, Ferris-Smith ring handle, down-cutting, 50° angled jaws.*

width x height mm	Large Kerrison					Small Kerrison		Ferris-Smith-Kerrison	
	180 mm*	200 mm*	220 mm*	250 mm*	300 mm*	180 mm*	200 mm*	180 mm*	200 mm*
U 2,5 x 2,5	K-3120/14	K-3122/14	K-3124/14			K-3130/14	K-3132/14	K-3140/14	K-3142/14
U 2,0 x 3,0	K-3120/24	K-3122/24	K-3124/24	K-3125/24	K-3129/24	K-3130/24	K-3132/24	K-3140/24	K-3142/24
U 3,0 x 4,0	K-3120/34	K-3122/34	K-3124/34	K-3125/34	K-3129/34	K-3130/34	K-3132/34	K-3140/34	K-3142/34
U 4,0 x 5,0	K-3120/44	K-3122/44	K-3124/44	K-3125/44	K-3129/44	K-3130/44	K-3132/44	K-3140/44	K-3142/44
U 5,0 x 5,0	K-3120/54	K-3122/54	K-3124/54	K-3125/54	K-3129/54	K-3130/54	K-3132/54	K-3140/54	K-3142/54
U 6,0 x 5,0	K-3120/64	K-3122/64	K-3124/64			K-3130/64	K-3132/64	K-3140/64	K-3142/64
U 7,0 x 6,0	K-3120/74	K-3122/74	K-3124/74						

# Laminectomy rongeurs

## Pinces emporte-pièces à laminectomie

### Pinzas cortantes para laminectomía



**K-3120/15 To K-3124/75**  
*Kerrison Rongeurs, large handle, up-cutting, 90° angled jaws, cut of jaws angled to left.*

**K-3130/15 To K-3132/65**  
*Kerrison Rongeurs, small handle, up-cutting, 90° angled jaws, cut of jaws angled to left.*

**K-3140/15 To K-3142/65**  
*Kerrison Rongeurs, Ferris-Smith ring handle, up-cutting, 90° angled jaws, cut of jaws angled to left.*



Large Kerrison



Small Kerrison



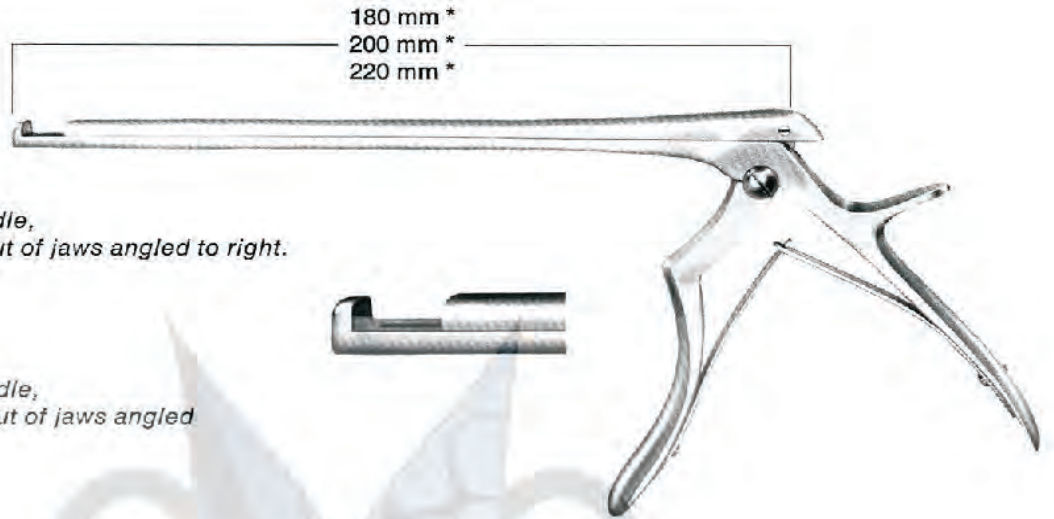
Ferris-Smith-Kerrison

width x height mm	Large Kerrison			Small Kerrison		Ferris-Smith-Kerrison	
	180 mm *	200 mm *	220 mm *	180 mm *	200 mm *	180 mm *	200 mm *
2,5 x 2,5	K-3120/15	K-3122/15	K-3124/15	K-3130/15	K-3132/15	K-3140/15	K-3142/15
2,0 x 3,0	K-3120/25	K-3122/25	K-3124/25	K-3130/25	K-3132/25	K-3140/25	K-3142/25
<i>with ejector</i>							
3,0 x 4,0	K-3120/35	K-3122/35	K-3124/35	K-3130/35	K-3132/35	K-3140/35	K-3142/35
4,0 x 5,0	K-3120/45	K-3122/45	K-3124/45	K-3130/45	K-3132/45	K-3140/45	K-3142/45
5,0 x 5,0	K-3120/55	K-3122/55	K-3124/55	K-3130/55	K-3132/55	K-3140/55	K-3142/55
6,0 x 5,0	K-3120/65	K-3122/65	K-3124/65	K-3130/65	K-3132/65	K-3140/65	K-3142/65
7,0 x 6,0	K-3120/75	K-3122/75	K-3124/75				

# Laminectomy rongeurs

## Pinces emporte-pièces à laminectomie

### Pinzas cortantes para laminectomía



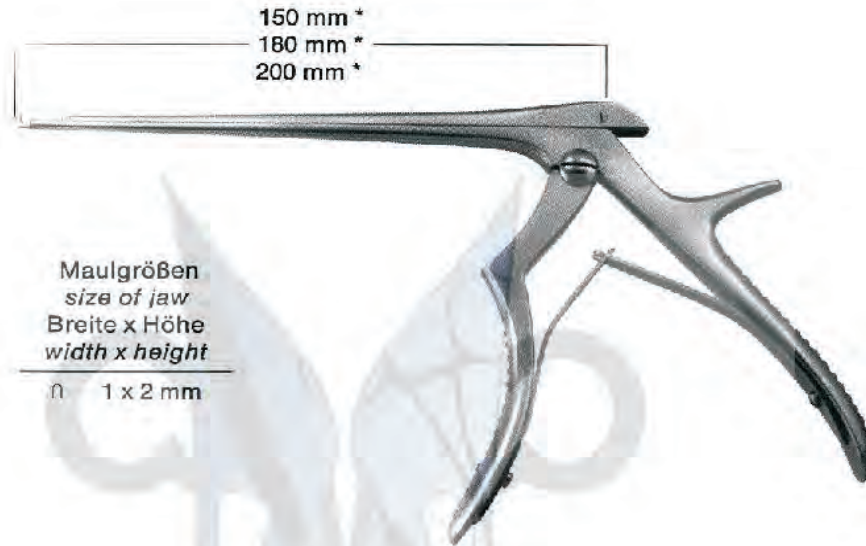
**K-3120/16 To K-3124/76**  
*Kerrison Rongeurs, large handle, up-cutting, 90° angled jaws, cut of jaws angled to right.*

**K-3130/16 To K-3132/66**  
*Kerrison Rongeurs, small handle, up-cutting, 90° angled jaws, cut of jaws angled to right.*

**K-3140/16 To K-3142/66**  
*Kerrison Rongeurs, Ferris-Smith ring handle, up-cutting, 90° angled jaws, cut of jaws angled to right.*

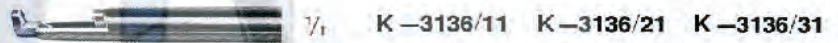
width x height mm	Large Kerrison			Small Kerrison		Ferris-Smith-Kerrison	
	180 mm *	200 mm *	220 mm *	180 mm *	200 mm *	180 mm *	200 mm *
2,5 x 2,5	K-3120/16	K-3122/16	K-3124/16	K-3130/16	K-3132/16	K-3140/16	K-3142/16
2,0 x 3,0	K-3120/26	K-3122/26	K-3124/26	K-3130/26	K-3132/26	K-3140/26	K-3142/26
<i>with ejector</i>							
3,0 x 4,0	K-3120/36	K-3122/36	K-3124/36	K-3130/36	K-3132/36	K-3140/36	K-3142/36
4,0 x 5,0	K-3120/46	K-3122/46	K-3124/46	K-3130/46	K-3132/46	K-3140/46	K-3142/46
5,0 x 5,0	K-3120/56	K-3122/56	K-3124/56	K-3130/56	K-3132/56	K-3140/56	K-3142/56
6,0 x 5,0	K-3120/66	K-3122/66	K-3124/66	K-3130/66	K-3132/66	K-3140/66	K-3142/66
7,0 x 6,0	K-3120/76	K-3122/76	K-3124/76				

**Laminectomy rongeurs**  
**Pinces emporte-pièces à laminectomie**  
**Pinzas cortantes para laminectomía**

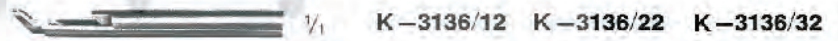


			<i>length</i>		
			150 mm *	180 mm *	200 mm *

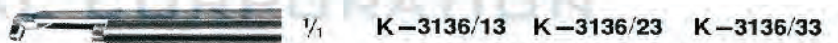
**K-3136/11 To K-3136/31**  
*Micro Kerrison Rongeurs,*  
*small handle, up-cutting, 90° angled jaws.*



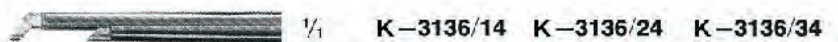
**K-3136/12 To K-3136/32**  
*Micro Kerrison Rongeurs,*  
*small handle, up-cutting, 50° angled jaws.*



**K-3136/13 To K-3136/33**  
*Micro Kerrison Rongeurs,*  
*small handle, down-cutting, 90° angled jaws.*



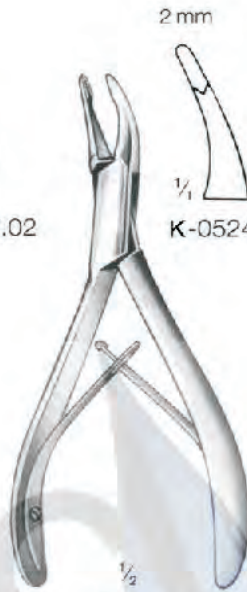
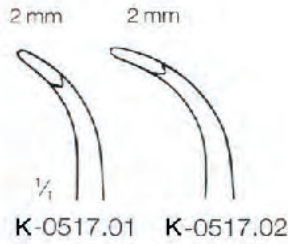
**K-3136/14 To K-3136/34**  
*Micro Kerrison Rongeurs,*  
*small handle, down-cutting, 50° angled jaws.*



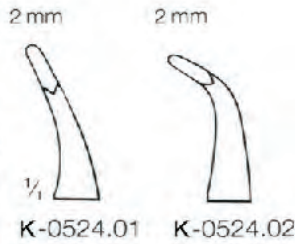
**Bone rongeurs**  
**Pinces-gouges**  
**Pinzas-gubias**



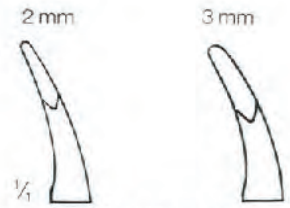
**Stellbrink**  
 17 cm/6 3/4"



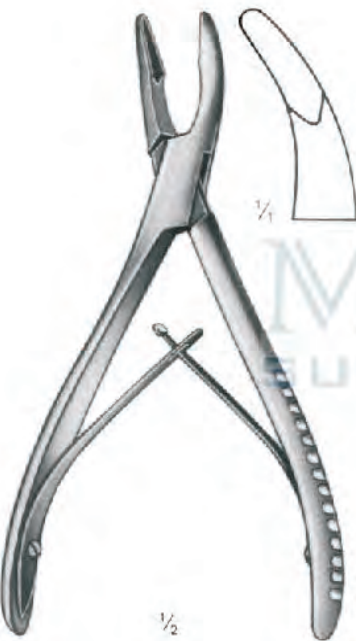
**Kleinert-Kutz**  
 14 cm/5 1/2"



**Mini-Friedman**  
 12.5 cm/4 3/4"  
 K-0531.12



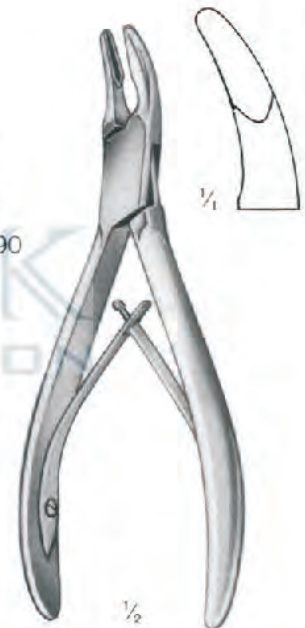
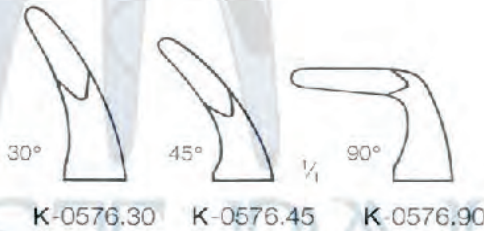
**Friedman**  
 14 cm/5 1/2"  
 K-0533.14



**Mead**  
 17 cm/6 3/4"  
 K-0561.17



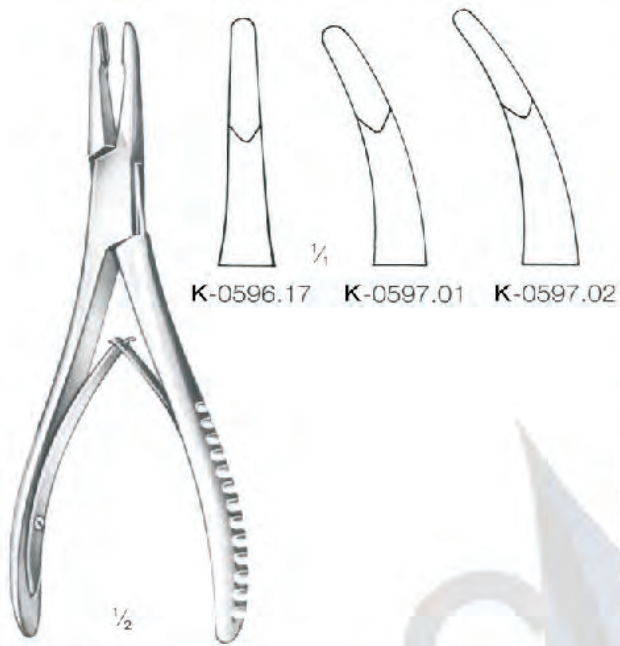
**Blumenthal**  
 16 cm/6 1/4"



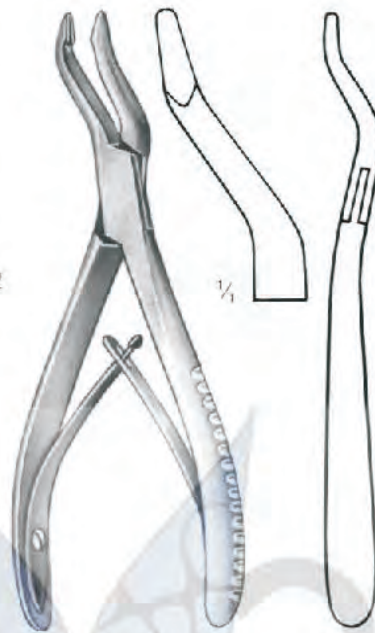
**Bane-Hartmann**  
 17 cm/6 3/4"  
 K-0589.17



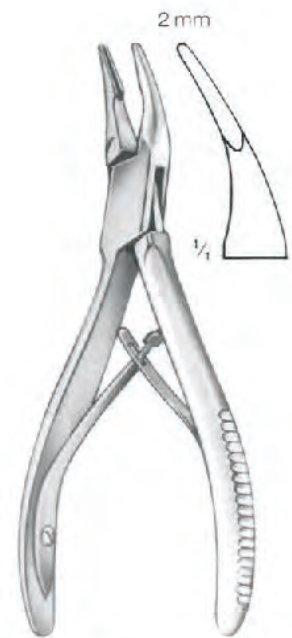
**Bone rongeurs**  
**Pinces-gouges**  
**Pinzas-gubias**



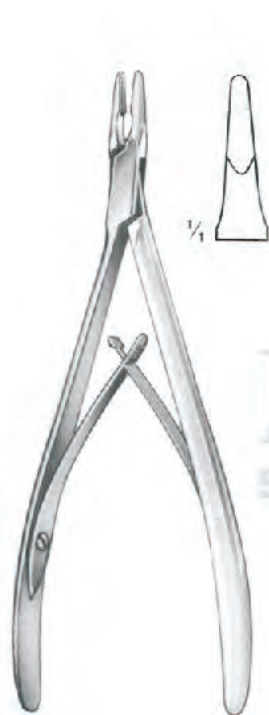
**Jansen**  
 17 cm/6 3/4"



**Jansen**  
 18 cm/7"  
 K-0611.18



**Beyer**  
 17 cm/6 3/4"  
 K-0627.02



**Lempert**  
 19 cm/7 1/2"  
 K-0636.19



**Luer**  
 18 cm/7"  
 K-0650.18



**Luer**  
 18 cm/7"  
 K-0651.18



**Adson**  
 20 cm/8"  
 K-0670.20

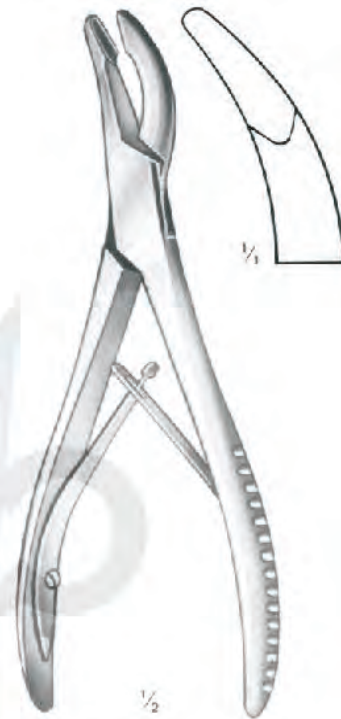
MASTIPAK  
 SURGICAL CORPORATION



**Bone rongeurs**  
**Pinces-gouges**  
**Pinzas-gubias**



**Luer**  
 15 cm/6"



**Olivecrona**  
 20 cm/8"  
 K-0677.20



**Böhler (Ruskin-Mini)**  
 15 cm/6"



**Beyer**  
 18 cm/7"  
 K-1011.18



**Zaufal-Jansen**  
 18 cm/7"  
 K-1013.18

**Bone rongeurs**  
**Pinces-gouges**  
**Pinzas-gubias**



19 cm/7 1/2"

24 cm/9 1/2"

24 cm/9 1/2"



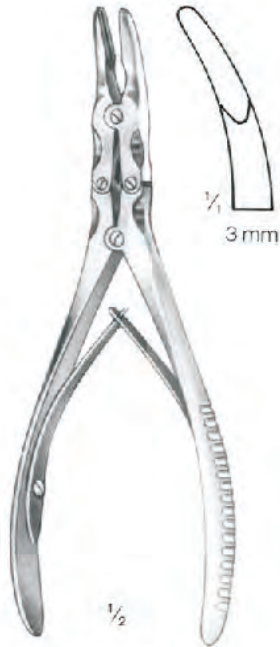
straight

light curve

strong curve

	straight		light curve		strong curve	
	3 mm	4 mm	3 mm	4 mm	3 mm	4 mm
<b>Smith-Peterson</b>						
19 cm/7 1/2"	K-1019.03	K-1019.04	K-1019.13	K-1019.14	K-1019.23	K-1019.24
24 cm/9 1/2"	K-1024.03	K-1024.04	K-1024.13	K-1024.14	K-1024.23	K-1024.24
<b>Fulton</b>	5 mm	6 mm	5 mm	6 mm	5 mm	6 mm
19 cm/7 1/2"	K-1019.05	K-1019.06	K-1019.15	K-1019.16	K-1019.25	K-1019.26
24 cm/9 1/2"	K-1024.05	K-1024.06	K-1024.15	K-1024.16	K-1024.25	K-1024.26

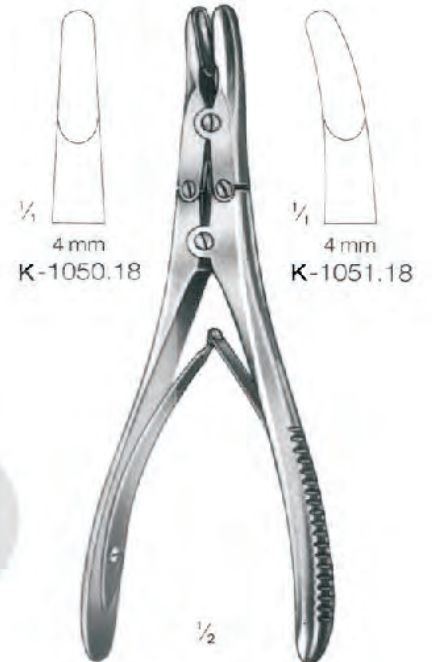
**Bone rongeurs**  
**Pinces-gouges**  
**Pinzas-gubias**



**Mayfield**  
 18,5 cm/7 1/4"  
 K-1035.18



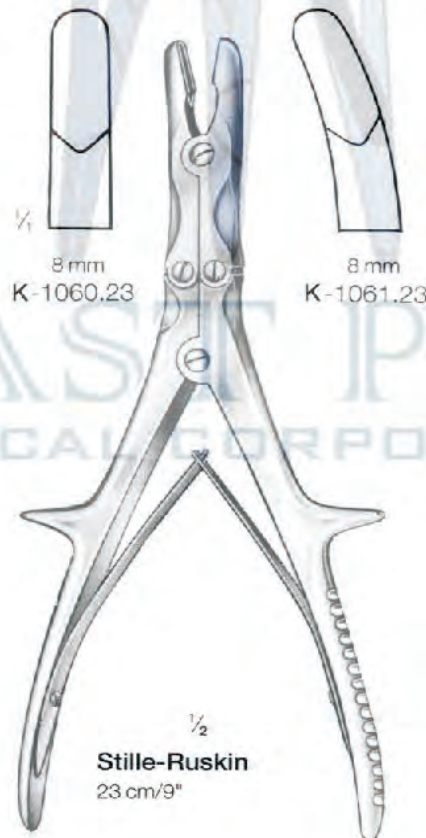
**Marquardt**  
 20 cm/8"  
 K-1037.20



**Ruskin**  
 18 cm/7"



**Röttgen-Ruskin**  
 24 cm/9 1/2"  
 K-1055.24

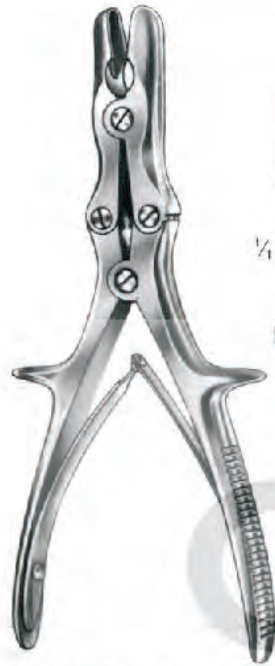


**Stille-Ruskin**  
 23 cm/9"

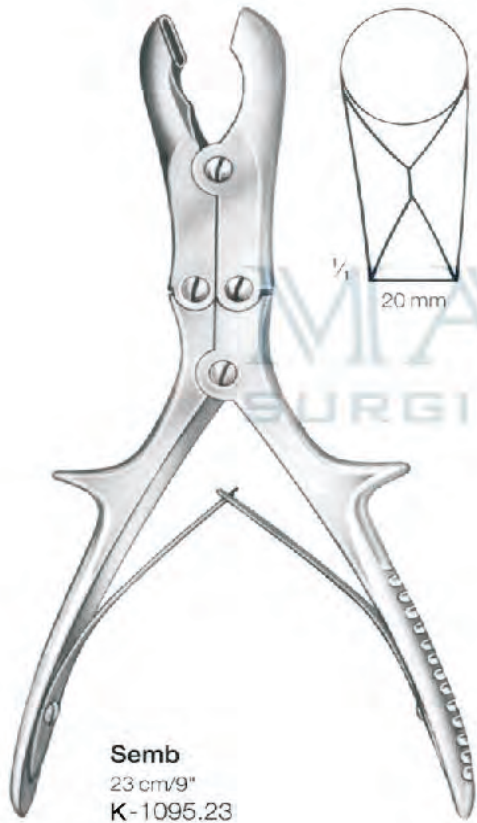
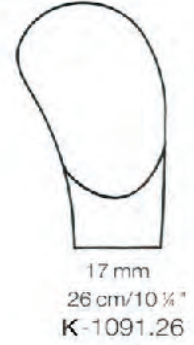
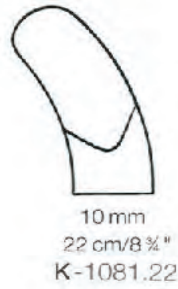
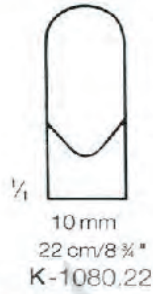


**Stille-Luer (Duckbill)**  
 23 cm/9"  
 K-1065.23

**Bone rongeurs**  
**Pinces-gouges**  
**Pinzas-gubias**



**Stille-Luer**



**Semb**  
23 cm/9"  
K-1095.23



**Leksell**  
24 cm/9 1/2"

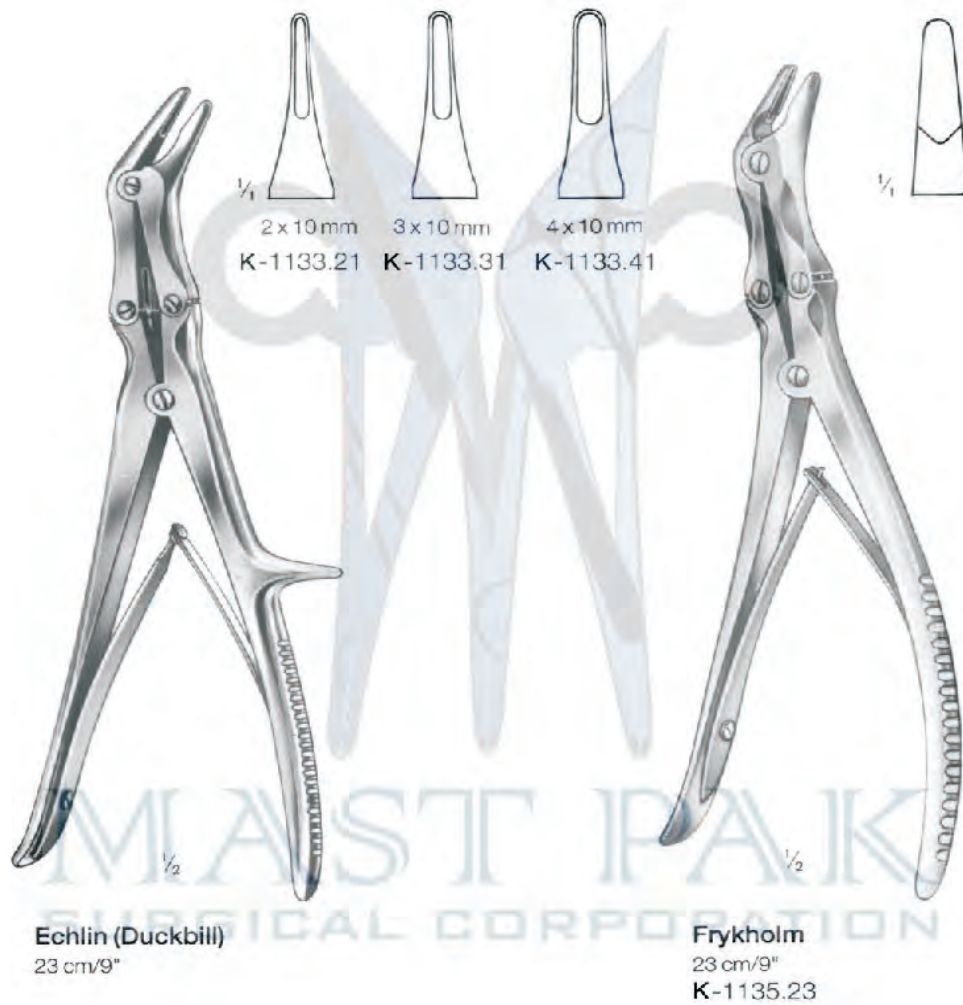


**Leksell**  
24 cm/9 1/2"



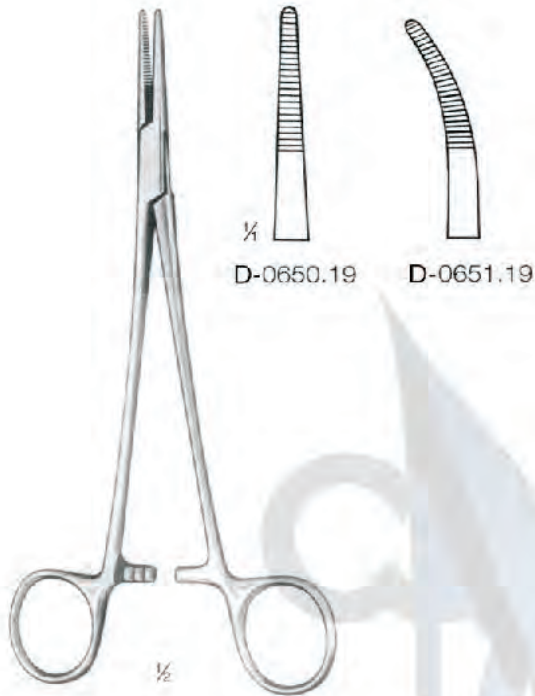
**Bone rongeurs**  
**Pinces-gouges**  
**Pinzas-gubias**

---



# Craniotomy Instruments

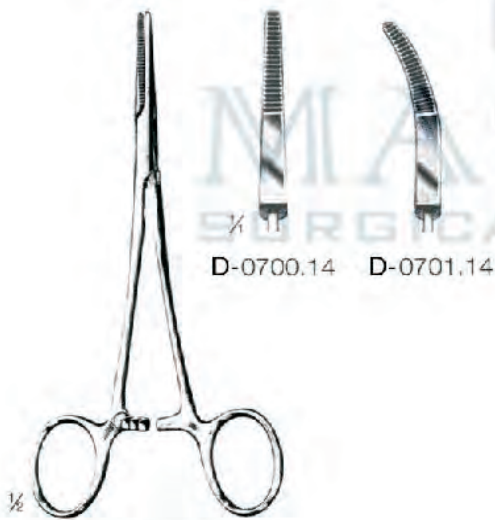
**Fine hemostatic forceps**  
**Pinces hémostatiques fins**  
**Pinzas hemostáticas finas**



**Adson**  
 19 cm / 7 1/2"



**Dandy**  
 14 cm / 5 1/2"  
 D-0671.14



**Providence-Hospital**  
 14 cm / 5 1/2"



**Leriche**  
 15 cm / 6"

MAST PAK  
 SURGICAL CORPORATION

Angiotribes, hemostatic forceps, haemorrhoidal (pile) forceps  
 pincas-clamps à pression progressive, pincas hémostatiques,  
 pincas-clamps pour hémorroïdes  
 pinzas-clamps de presión progresiva, pinzas hemostáticas,  
 pinzas-clamps hemorroidales

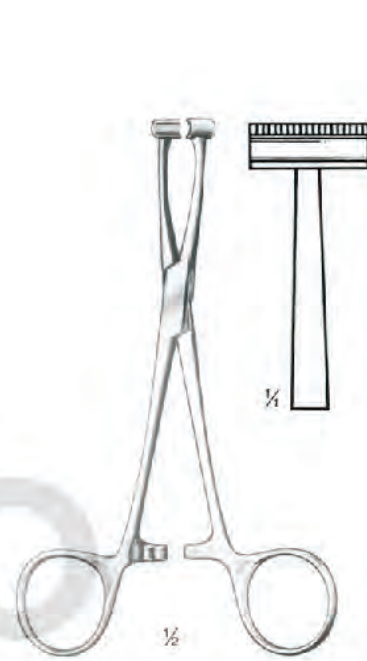
Scalp Flap Forceps



**DeMartel**  
 14 cm/5 1/2"  
 D-4501.14



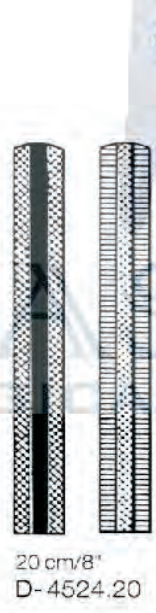
**DeMartel (Willett)**  
 18 cm/7"  
 D-4501.18



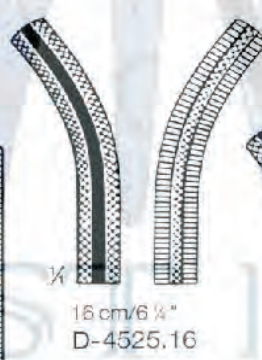
**Pratt**  
 15 cm/6"  
 D-4504.15



**Fergusson**



20 cm/8"  
 D-4524.20



16 cm/6 1/4"  
 D-4525.16



20 cm/8"  
 D-4525.20



**Fergusson**

Haemorrhoidal Forceps



Suture  
Suture  
Sutura



sizes  
mm

7,5 x 1,75	E-9010.07
11,0 x 2	E-9010.11
12,0 x 3	E-9010.12
14,0 x 3	E-9010.14
16,0 x 3	E-9010.16
18,0 x 3	E-9010.18
20,0 x 3	E-9010.20
22,0 x 3	E-9010.22

Michel



sizes  
mm

12 x 3	E-9020.12
14 x 3	E-9020.14
16 x 3	E-9020.16
18 x 3	E-9020.18
20 x 3	E-9020.20

Wachenfeldt



Kölnner Sparklammern  
E-9050.10

for applying and removing



Applying and Removing Forceps  
for Scalp Hemostatic Clips

Raney  
E-9113.12  
Scalp Hemostatic Clips



Michel  
12 cm/4 3/4"  
E-9060.12



Collin  
13 cm/5"  
E-9067.13



Richter-Heath  
14 cm/5 1/2"  
E-9069.14



Raney  
16 cm/6 1/4"  
E-9112.16

MAST PAK  
SURGICAL CORPORATION

Suture  
Suture  
Sutura



Silver Wire in coils

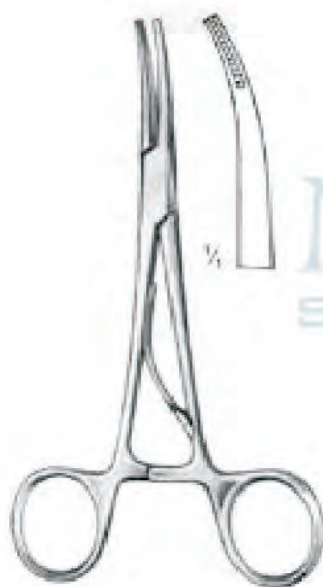
McKenzie 2,5 g  
E-9200.25



McKenzie  
18 cm/7"  
E-9200.18

Clip Applying Forceps

Clip Bending and Cutting Forceps



McKenzie  
E-9201.15 = 15 cm/6"  
E-9201.19 = 19 cm/7 1/2"



McKenzie  
E-9203.15 = 15 cm/6"  
E-9203.19 = 19 cm/7 1/2"



Olivecrona-Toennis (Scoville)  
L = 14 cm/5 1/2" = E-9212.14  
L = 21 cm/8 1/4" = E-9212.21

**Brain and neuro surgery**  
**Chirurgie cérébrale, neurochirurgie**  
**Cirugía cerebral, neurocirugia**

**Wire Saws, braided, untearable**



soldered

coarse, 4 wires twisted

fine, 6 wires twisted

cm inch.

30	12	K-1400.30	K-1404.30	K-1406.30
40	15½	K-1400.40	K-1404.40	K-1406.40
50	19¾	K-1400.50	K-1404.50	K-1406.50
60	23¾	K-1400.60	K-1404.60	K-1406.60
70	27¾	K-1400.70	K-1404.70	K-1406.70

**Olivecrona**

**Gigli**

**Gigli**

**Conductors**

malleable

elastic (flexible)



½

½

**Lebsche**  
 25 cm/10"  
 K-1420.25

**DeMartel (Bailey)**  
 33 cm/13"  
 K-1422.33

**Hook Handle, turnable, for wire saws**



½

**Gigli**  
 K-1431.61

MAST PAK  
 SURGICAL CORPORATION

Anatomy, post mortem, sternum chisel  
Anatomie, autopsie, sternotome  
Anatomía, autopsia, cincel para esternón

Dissecting Chisels

for opening the spinal column



Skull Breaker



Virchow  
J-1620.16



Brunetti  
28,5 cm/11 1/4"  
J-1628.01

Brunetti  
28,5 cm/11 1/4"  
J-1628.02

Sternum Chisel



Lebsche  
24,5 cm/9 3/4"  
J-1675.24

MASTIPAK  
SURGICAL CORPORATION



# Mast Pak

*Surgical Corporation*

Manufacturer & Exporters of surgical instruments

Website: [www.mastpaksurgicalcorp.com](http://www.mastpaksurgicalcorp.com)

Email: [info@mastpaksurgicalcorp.com](mailto:info@mastpaksurgicalcorp.com)

Phone: +92-324-8609456

Address: Pacca Garha, Kashmir Road  
Sialkot 51310, Pakistan